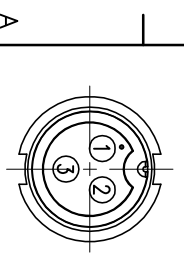
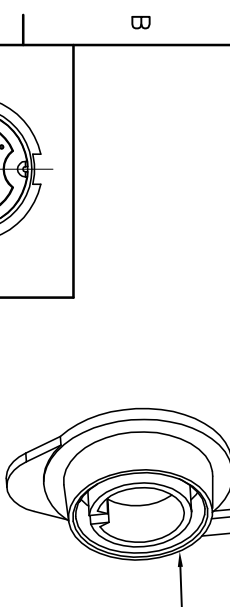
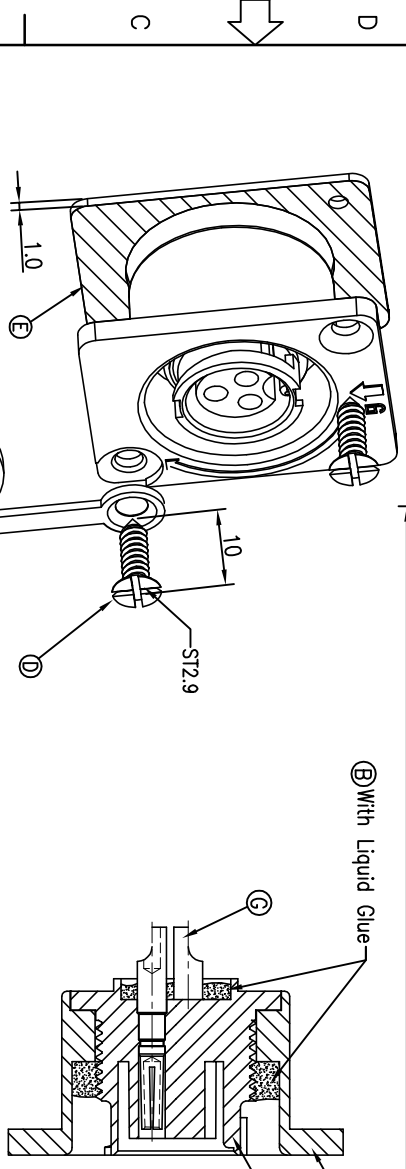
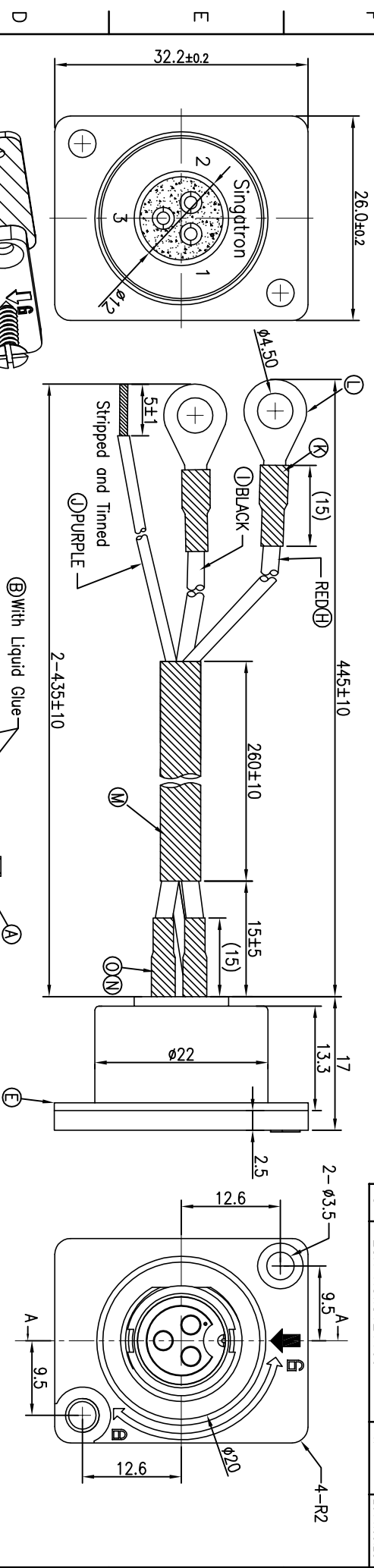


REV	ECN NO	OR DESCRIPTION	REVISED	DATE
A	PDR NO.:091123-2A	HARLEN	2010.04.28	
B	ECN NO.:S110707	HARLEN	2011.8.2	
C	ECN NO.:S121109	YF	2014.03.28	



PIN ASSIGNMENTS
FRONT VIEW

PIN COLOR	WIRE COLOR	PIN OUT
PURPLE		3
BLACK		2
RED		1
	CONN.	

- NOTES:
1. WATERPROOF RATE: IP55
 2. ELECTRICAL CHARACTERISTICS
TEMPERATURE RANGE: -20°C TO +80°C
CURRENT RATING: 10A
 3. DIELECTRIC WITHSTANDING VOLTAGE: 1000V AC FOR ONE MINUTE
 4. TO CONFORM TO SINGATRON HAZARDOUS SUBSTANCE FREE SPEC.
 5. GREEN PRODUCT IDENTIFICATION LABEL ON PACKAGING: [GPR PASS]
 6. 螺絲、防護蓋以附件形式包裝出貨
 7. THE TORQUE OF SCREWING: 3.5KGF MAX
 8. AFTER 5000CYCLES LIFE TEST OF DUST CAP WITHOUT ANY FRACTURES OR CRACKS OF THE BAD SITUATION.

A-A SECTION

QTY	DESCRIPTION	MATERIAL	PLATING & COLOR
3	SHRINK TUBE	φ3.0*1.5mm	BLACK
1	TERMINAL	J602-BS-2	TIN PLATING
1	SHRINK TUBE	φ6.0*260mm	BLACK
3	TERMINAL	φ4.5*φ8.0	TIN PLATING
2	SHRINK TUBE	φ4.0*1.5mm	BLACK
1	WIRE	UL1015 26AWG L:445	PURPLE
1	WIRE	UL1015 20AWG L:435	BLACK
1	WIRE	UL1015 20AWG L:445	RED
3	FEMALE PIN	Phosphor Bronze	1u" GOLD PLATING OVER NICKEL PLATING
1	PANEL BODY	PA66+30%	BLACK
1	GASKET	EPDM ADHESIVE	BLACK
2	SCREW	STAINLESS STEEL	N/A
1	DUST CAP	HYTREL	BLACK
1	LIQUID GLUE	N/A	BLACK
1	HOUSING	PA66+30%	BLACK

UNLESS OTHERWISE SPECIFIED TOLERANCES

DECIMALS: ANGLES:

X :±0.5 X :±2
X.X :±0.3 X.X :±1'
X.XX :±0.2

TITLE POWER 3PIN(10A)
DWN YF
CHKD Harlen
APVD Quon

PART NO. 2CT9020-W034A3
SCALE 2:1 UNIT: mm
SIZE: A3 SHEET: 1 OF 1 REV: C

Singatron Enterprise Co., Ltd.
信譽企業股份有限公司

CUSTOMER COPY