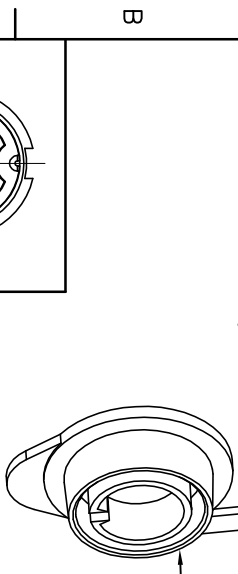
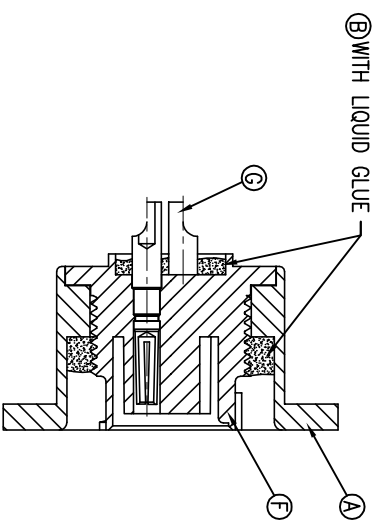
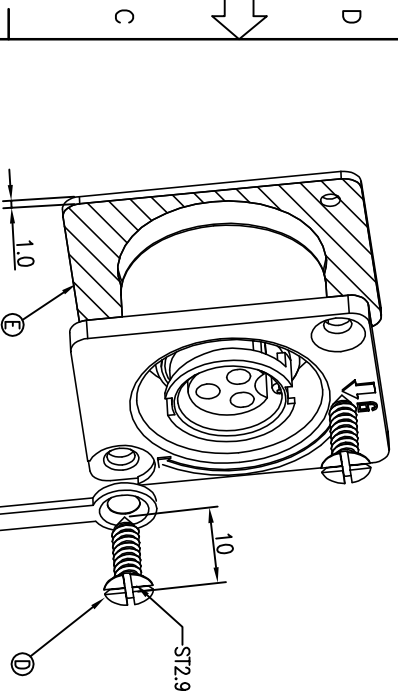
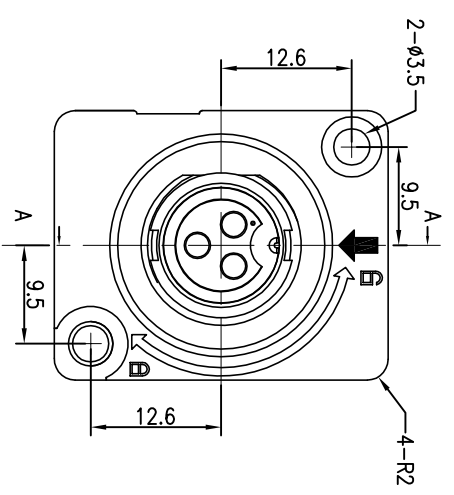
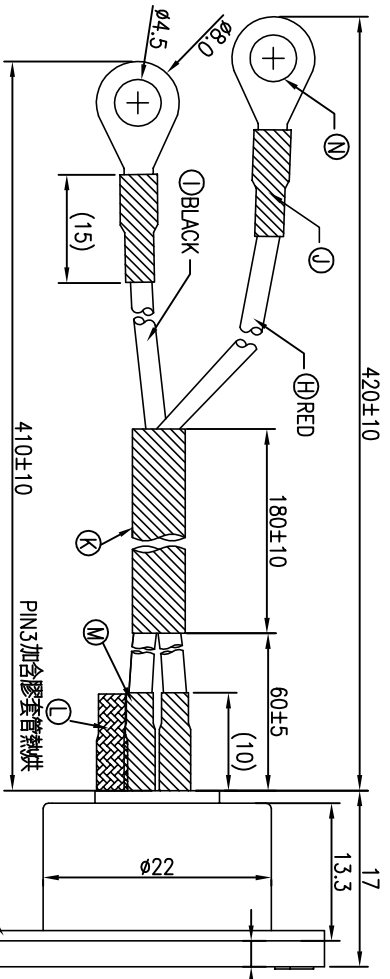
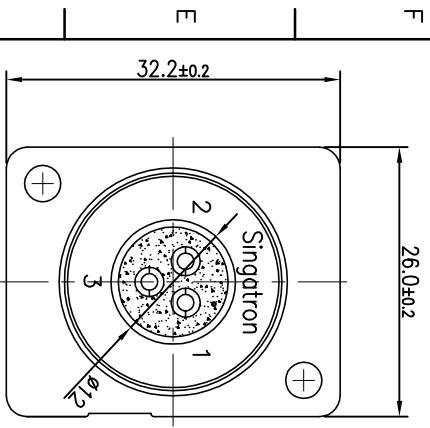
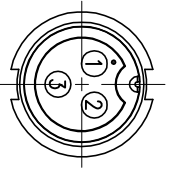


REV.	ECN NO OR DESCRIPTION	REVISED	DATE
A	PDR NO: T101008-8A	HARLEN	2010.10.19
B	ECN NO:S110707	HARLEN	2011.8.2
C	ECN NO:S121109	YF	2014.03.28



- NOTES:
1. WATERPROOF RATE: IP55
 2. ELECTRICAL CHARACTERISTICS
 3. TEMPERATURE RANGE: -20°C TO +80°C
 4. CURRENT RATING: 10A
 5. DIELECTRIC WITHSTANDING VOLTAGE: 1000V AC FOR ONE MINUTE
 6. SPECIFICATIONS: SEE "CIRCULAR SERIES SPECIFICATIONS."
 7. TO CONFORM TO SINGATRON HAZARDOUS SUBSTANCE FREE SPEC.
 8. GREEN PRODUCT IDENTIFICATION LABEL ON PACKAGING. [SEE PAGE 16]



PIN ASSIGNMENTS
FRONT VIEW

	1	2	3
N/A			
BLACK			
RED			
WIRE COLOR			
PIN OUT			

- UNLESS OTHERWISE SPECIFIED TOLERANCES
- DECIMALS: ANGLES:
- X :±0.5 X :±2°
- XX :±0.3 XX :±1'
- X.XX :±0.2

NO	DESCRIPTION	QTY	MATERIAL	PLATING & COLOR
N	TERMINAL	2	Ø4.5*Ø8.0	TIN PLATING
M	SHRINK TUBE	2	Ø3.0*10mm	BLACK
L	SHRINK TUBE	1	Ø3.2*10mm (含膠)	BLACK
K	SHRINK TUBE	1	Ø5.0*180mm	BLACK
J	SHRINK TUBE	2	Ø4.0*15mm	BLACK
I	WIRE	1	UL1015 20AWG	BLACK
H	WIRE	1	UL1015 20AWG	RED
G	FEMALE PIN	3	Phosphor Bronze	1u" GOLD PLATING OVER NICKEL PLATING
F	PANEL BODY	1	PA66+30%GF	BLACK
E	GASKET	1	EPDM ADHESIVE	BLACK
D	SCREW	2	STAINLESS STEEL	N/A
C	DUST CAP	1	HYREL	BLACK
B	LIQUID GLUE	1	N/A	BLACK
A	HOUSING	1	PA66+30%GF	BLACK

Singatron Enterprise Co., Ltd.
信音企業股份有限公司

TITLE POWER 3PIN(10A)
PART NO. 2CT13020-W034B1

SCALE 2:1 UNIT: mm
SHEET: 1 OF 1 REV: C
CUSTOMER COPY