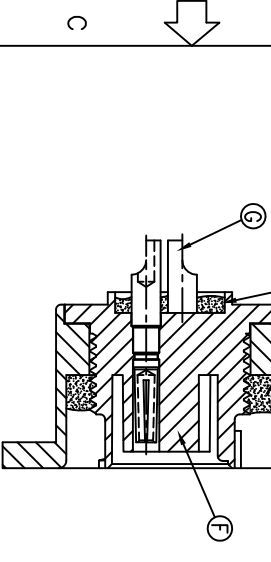
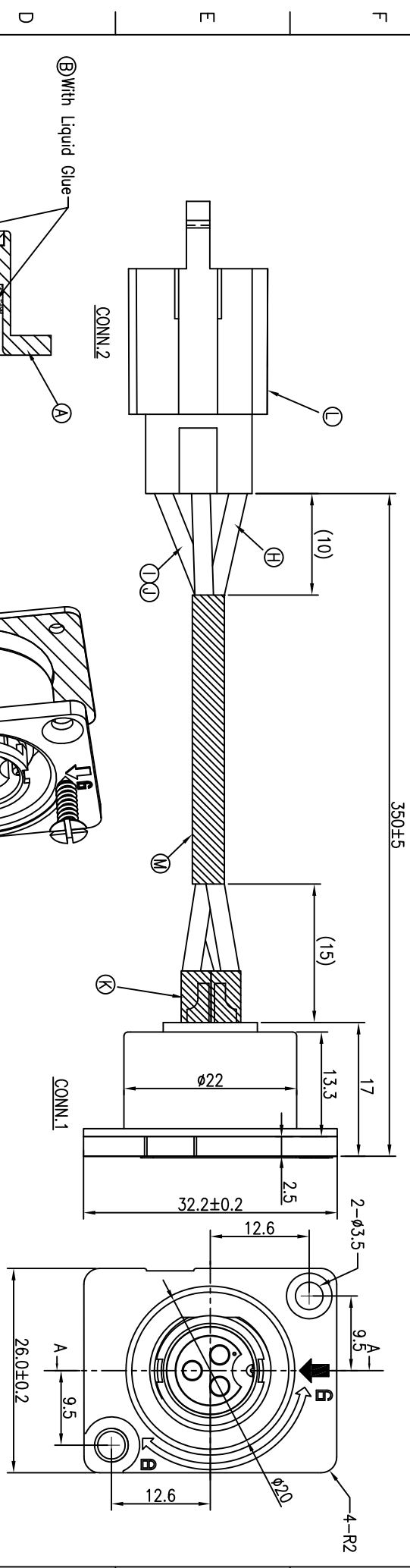
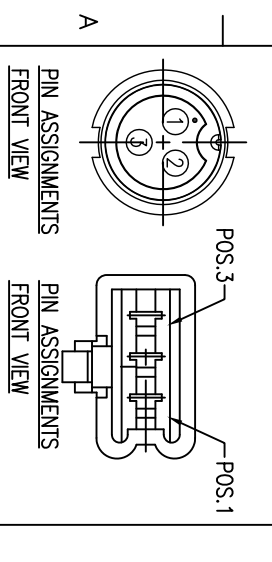


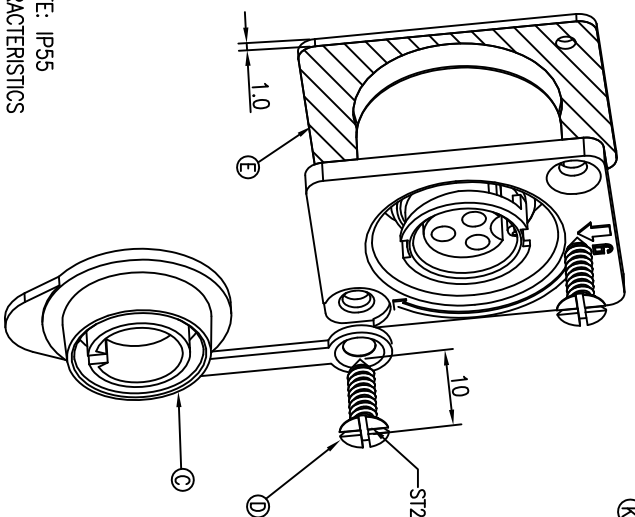
REV.	ECN NO OR DESCRIPTION	REVISED	DATE
A	PDR NO : T120828-2A	Horlen	12.10.23



3	YELLOW	3
2	BLACK	2
1	RED	1
CONN.1	WIRE COLOR	CONN.2
	PIN OUT	



- NOTES:
1. WATERPROOF RATE: IP55
 2. ELECTRICAL CHARACTERISTICS
 3. CURRENT RATING: 10A
 4. DIELECTRIC WITHSTANDING VOLTAGE: 1000V AC FOR ONE MINUTE
 5. SPECIFICATIONS:SEE "CIRCULAR SERIES SPECIFICATIONS"
 6. TO CONFORM TO SINGATRON HAZARDOUS SUBSTANCE FREE SPEC.
 7. GREEN PRODUCT IDENTIFICATION LABEL ON PACKAGING: [Cap. Pass]
 8. 螺絲, 防塵蓋以附件形式包裝出貨
 9. THE TORQUE OF SCREWING: 3.5KGF MAX
 10. AFTER 5000CYCLES LIFE TEST OF DUST CAP WITHOUT ANY FRACTURES OR CRACKS OF THE BAD SITUATION.



M	HEAT SHRINK TUBE	1	φ6.0	BLACK
L	CONNECTOR	3	BRASS	TIN PLATED
		1	PA66	WHITE
K	HEAT SHRINK TUBE	3	φ3.0*10mm	BLACK
J	WIRE	1	UL1015 18AWG	YELLOW
I	WIRE	1	UL1015 18AWG	BLACK
H	WIRE	1	UL1015 18AWG	RED
G	FEMALE PIN	3	Phosphor Bronze	1u" GOLD PLATING OVER NICKEL PLATING
F	PANEL BODY	1	PA66+30%GF	BLACK
E	GASKET	1	EPDM 70°	BLACK
D	SCREW	2	STAINLESS STEEL	N/A
C	DUST CAP	1	HYREL 4056	BLACK
B	LIQUID GLUE	1		BLACK
A	HOUSING	1	PA66+30%GF	BLACK
NO	DESCRIPTION	QTY	MATERIAL	PLATING & COLOR
UNLESS OTHERWISE SPECIFIED TOLERANCES				
Singatron Enterprise Co., Ltd. 信譽企業股份有限公司				
TITLE: 3PIN POWER SOCKET(10A)				
DWG: Horlen				
CHKD: Shawn				
APVD: Steve				
PART NO. 2CT9020-W034C3H				
SCALE: 2:1				
SIZE: A3				
SHEET: 1 OF 1				
REV: A				
CUSTOMER COPY				