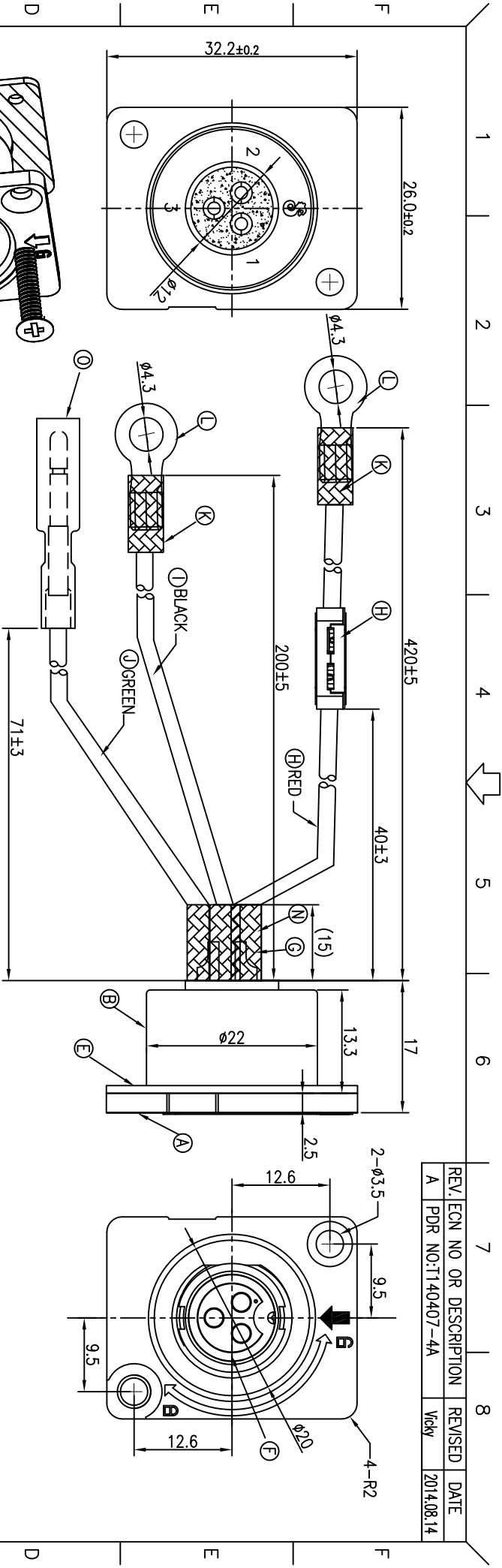
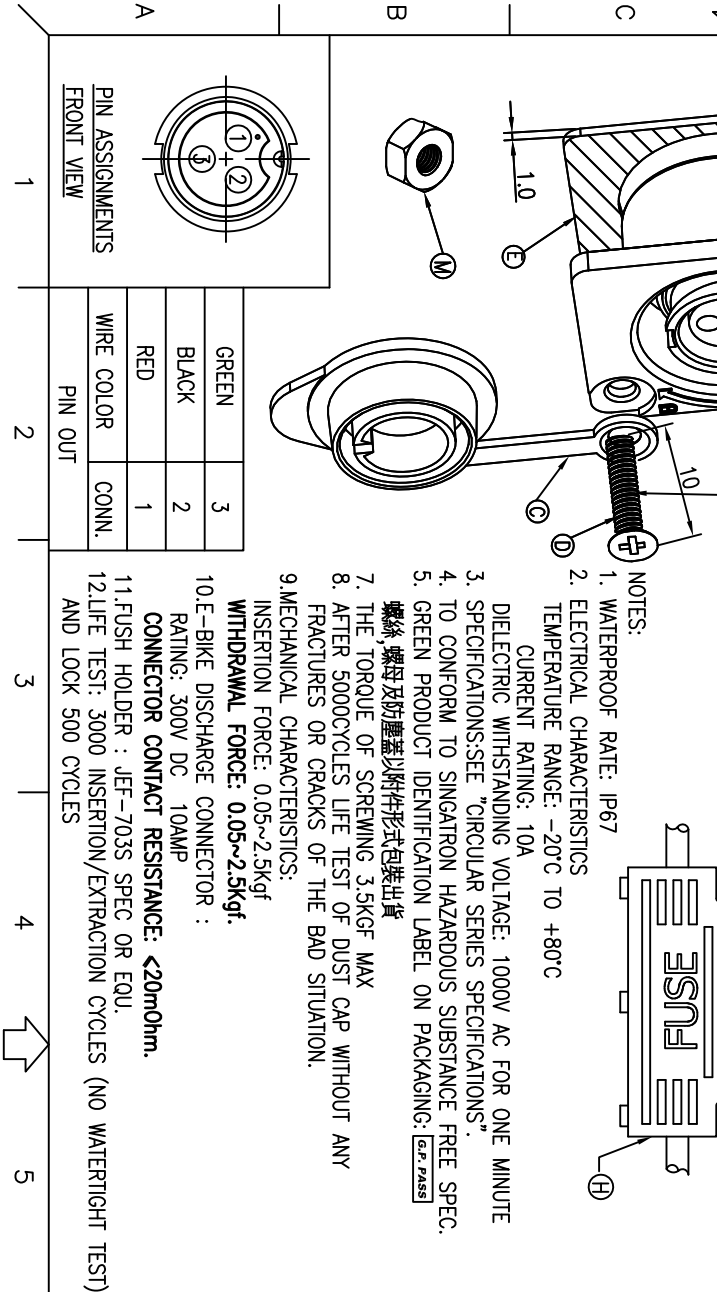


REV	ECN NO	OR DESCRIPTION	REVISED	DATE
A	PDR NO:TT140407-4A	Vicky	2014.08.14	



- NOTES:
1. WATERPROOF RATE: IP67
 2. ELECTRICAL CHARACTERISTICS
 3. TEMPERATURE RANGE: -20°C TO +80°C
 4. CURRENT RATING: 10A
 5. DIELECTRIC WITHSTANDING VOLTAGE: 1000V AC FOR ONE MINUTE
 6. SPECIFICATIONS:SEE "CIRCULAR SERIES SPECIFICATIONS."
 7. TO CONFORM TO SINGATRON HAZARDOUS SUBSTANCE FREE SPEC.
 8. GREEN PRODUCT IDENTIFICATION LABEL ON PACKAGING: [c.a. phase]
 9. 螺絲、螺母及防護蓋以附件形式包裝出貨
 10. THE TORQUE OF SCREWING: 3.5KGF MAX
 11. AFTER 5000CYCLES LIFE TEST OF DUST CAP WITHOUT ANY FRACTURES OR CRACKS OF THE BAD SITUATION.
 12. MECHANICAL CHARACTERISTICS:
 13. INSERTION FORCE: 0.05~2.5kgf
 14. WITHDRAWAL FORCE: 0.05~2.5kgf
 15. 10.E-BIKE DISCHARGE CONNECTOR :
 16. RATING: 300V DC 10AMP
 17. CONNECTOR CONTACT RESISTANCE: <20mOhm.
 18. 11.FUSH HOLDER : JEF-703S SPEC OR EQU.
 19. 12.LIFE TEST: 3000 INSERTION/EXTRACTION CYCLES (NO WATERTIGHT TEST) AND LOCK 500 CYCLES



QTY	DESCRIPTION	MATERIAL	PLATING & COLOR
1	TERMINAL	KST MPFNYD0.5-078	WHITE
3	SHRINK TUBE	φ3.0*15mm	BLACK
2	NUT	STAINLESS STEEL	N/A
2	TERMINAL	KST RNBL1-4	TIN PLATING
2	SHRINK TUBE	φ4.0*10	BLACK
1	WIRE	UL1007 22AWG	GREEN
1	WIRE	UL1015 18AWG	BLACK
1	FUSH HOLDER	ATU IN-LINE FUSH HOLDER	RED WIRE
3	FEMALE PIN	Phosphor Bronze	1u" GOLD PLATING OVER NICKEL PLATING
1	PANEL BODY	PA66+30%GF	BLACK
1	GASKET	EPDM 70' ADHESIVE	BLACK
2	SCREW	STAINLESS STEEL (Drop-resistant)	N/A
1	DUST CAP	HYREL 4056	BLACK
1	LIQUID GLUE	N/A	BLACK
1	HOUSING	PA66+30%GF	BLACK
	DESCRIPTION	MATERIAL	PLATING & COLOR

UNLESS OTHERWISE SPECIFIED TOLERANCES

Singatron Enterprise Co., Ltd.
信譽企業股份有限公司

TITLE: 3PIN POWER SOCKET(10A)

DWN: Vicky
CHKD: Harlen
APVD: Steve

PART NO: 2CT3020-W034J0BH
SCALE: 2:1
UNIT: mm
SHEET: 1 OF 1
REV: A

CUSTOMER COPY