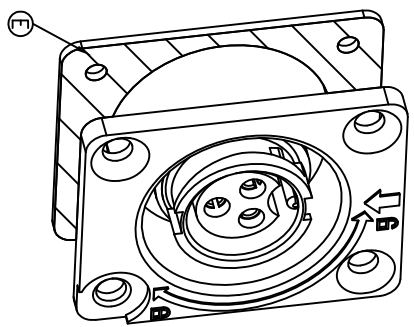
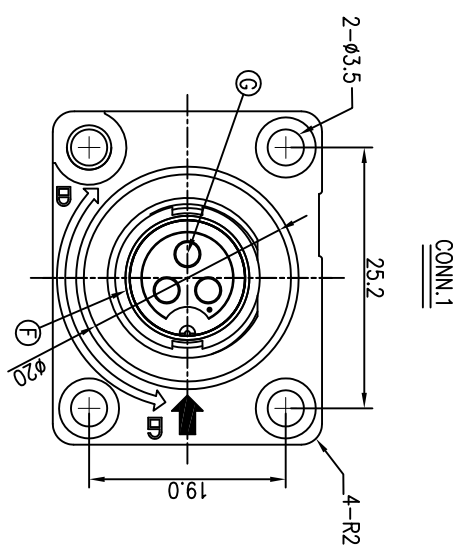
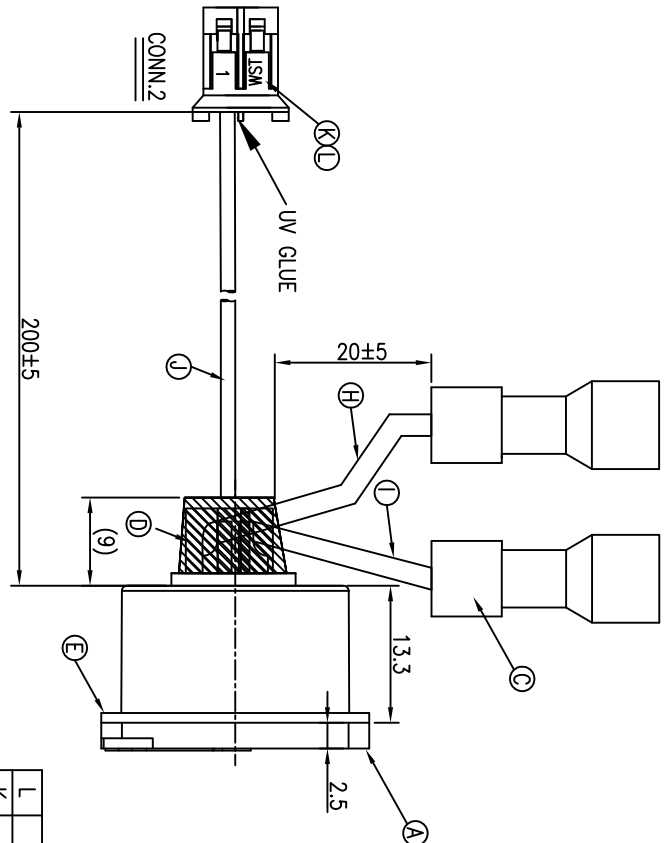
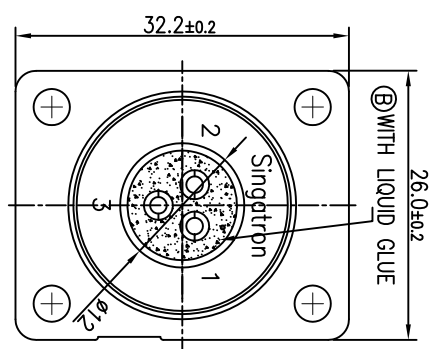
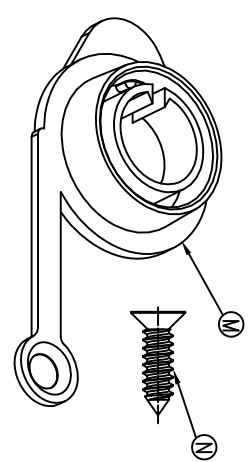


REV.	ECN NO OR DESCRIPTION	REVISED	DATE
A	PDR NO:IT140319-4B	YF	2015.01.16

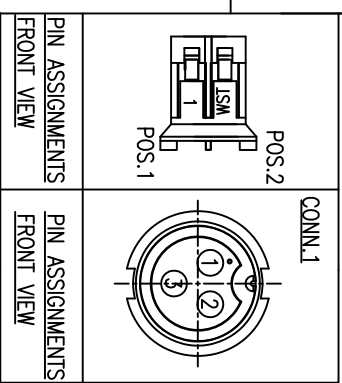


1	BROWN	3
TERMINAL	BLACK	2
TERMINAL	RED	1
CONN.2	WIRE COLOR	CONN.1
PIN OUT		



NOTES:  
1. ELECTRICAL CHARACTERISTICS  
TEMPERATURE RANGE: -20°C TO +80°C  
CURRENT RATING: 10A

2. SPECIFICATIONS: SEE "CIRCULAR SERIES SPECIFICATIONS".
3. TO CONFORM TO SINGATRON HAZARDOUS SUBSTANCE FREE SPEC.
4. GREEN PRODUCT IDENTIFICATION LABEL ON PACKAGING: GR-PASS
5. 零件材料, 防塵帽以附件形式包裝在包裝袋中出貨



N	SCREW	4	Stainless Steel	BLACK NICKEL
M	DUST CAP	1	HYTREL	BLACK

NO	DESCRIPTION	QTY	MATERIAL	PLATING & COLOR
L	TERMINAL	1	BRASS	TIN PLATING
K	CONNECTOR	1	NYLON 66	NATURE
J	WIRE	1	UL1007 24AWG	BROWN
I	WIRE	1	UL1007 18AWG	BLACK
H	WIRE	1	UL1007 18AWG	RED
G	FEMALE PIN	3	Phosphor Bronze	1u" GOLD PLATING OVER NICKEL PLATING
F	PANEL BODY	1	PA66+30%GF	BLACK
E	GASKET	1	SILICONE ADHESIVE	BLACK
D	THERMAL GLUE	1	N/A	WHITE
C	CONNECTOR	1	BRASS	TIN PLATING
B	LIQUID GLUE	1	NYLON 66	RED
A	HOUSING	1	N/A	BLACK
NO	DESCRIPTION	QTY	MATERIAL	PLATING & COLOR

UNLESS OTHERWISE SPECIFIED TOLERANCES

Singatron Enterprise Co., Ltd.  
信登企業股份有限公司

TITLE: 3PIN POWER SOCKET 10A

DWN: YF PART NO. 2CT9020-W034D9H

CHKD: Harlen SCALE 2:1 UNIT: mm

APVD: Steve SIZE: A3 SHEET: 1 OF 1 REV: A

CUSTOMER COPY