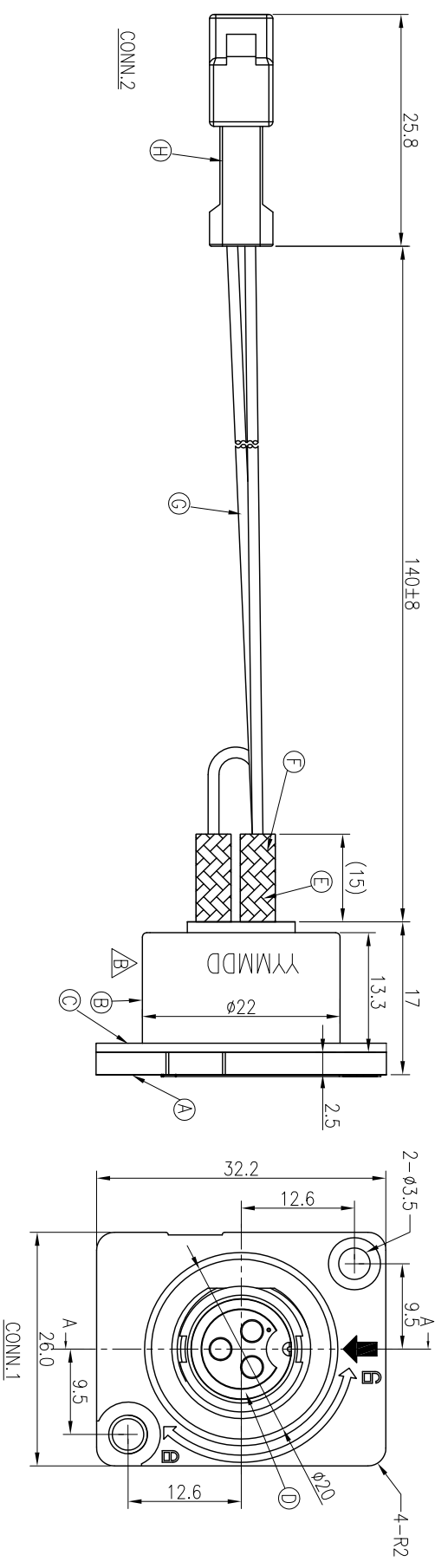
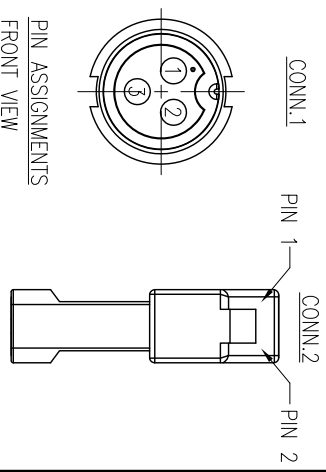


REV.	ECN NO. OR DESCRIPTION	REVISED	DATE
A	PDR NO:T161213-2A	Yanq	2018.01.08
B	ECN NO:S202203-R08	Elrod	2022.02.19



3	BLACK	2	(-)
2	RED	1	(-)
1	WIRE COLOR	1	(+)
CONN.1		CONN.2	Function



- NOTES:
1. WATERPROOF RATE: IP67
 2. ELECTRICAL CHARACTERISTICS
 3. TEMPERATURE RANGE: -20°C TO +80°C
 4. CURRENT RATING: 10A
 5. DIELECTRIC WITHSTANDING VOLTAGE: 1000V AC FOR ONE MINUTE
 6. SPECIFICATIONS:SEE "CIRCULAR SERIES SPECIFICATIONS".
 7. TO CONFORM TO SINGATRON HAZARDOUS SUBSTANCE FREE SPEC.
 8. GREEN PRODUCT IDENTIFICATION LABEL ON PACKAGING: **[GPP PASS]**
 9. THE TORQUE OF SCREWING 3.5KGF MAX
 10. AFTER 5000CYCLES LIFE TEST OF DUST CAP WITHOUT ANY FRACTURES OR CRACKS OF THE BAD SITUATION.
 11. MECHANICAL CHARACTERISTICS:
 12. INSERTION FORCE: 0.05~2.5kgf
 13. WITHDRAWAL FORCE: 0.05~2.5kgf.
 14. 9.E-BIKE DISCHARGE CONNECTOR :
 15. RATING: 300V DC 10AMP
 16. CONNECTOR CONTACT RESISTANCE: <20mOhm.
 17. 10.LIFE TEST: 3000 INSERTION/EXTRACTION CYCLES (NO WATERTIGHT TEST) AND LOCK 500 CYCLES
 18. 11. LASE DATE CODE "YYMMDD".
 19. DATE CODE: YYMMDD

PIN ASSIGNMENTS
FRONT VIEW

NO	DESCRIPTION	QTY	MATERIAL	PLATING & COLOR
H	CONNECTOR	1	KST P/N:3102A1004	WHITE
G	WIRE	2	KST P/N:1101A1000	TIN PLATED
F	HEAT SHRINK TUBE	3	UL1061 22AWG	SEE "PIN OUT"
E	FEMALE PIN	3	300V 125°C	BLACK
D	PANEL BODY	1	Phosphor Bronze	1u" GOLD PLATING OVER NICKEL PLATING
C	GASKET	1	PA66+GF	BLACK
B	LIQUID GLUE	1	SILICONE ADHESIVE	BLACK
A	HOUSING	1	N/A	BLACK
NO	DESCRIPTION	1	PA66+GF	BLACK
UNLESS OTHERWISE SPECIFIED TOLERANCES				
Suzhou Singatron Auto Electronics CO.,LTD. 苏州信言汽车电子有限公司				
TITLE: 3PIN POWER SOCKET(10A)				
DWN: Elrod				
CHKD: Jun				
APVD: Steve				
PART NO:2CT3020-W034F0H				
SCALE 2:1				
UNIT: mm				
SIZE: A3				
SHEET:1 OF 1				
REV: B				
CUSTOMER COPY				