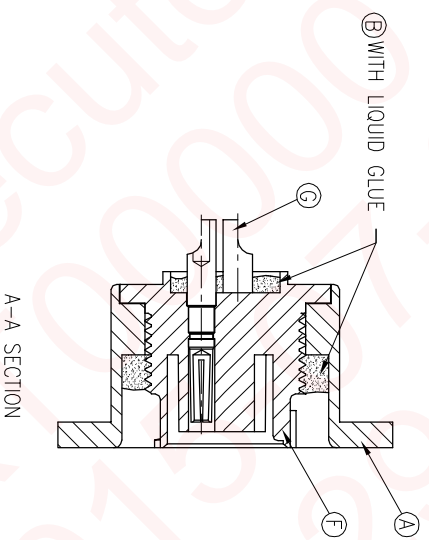
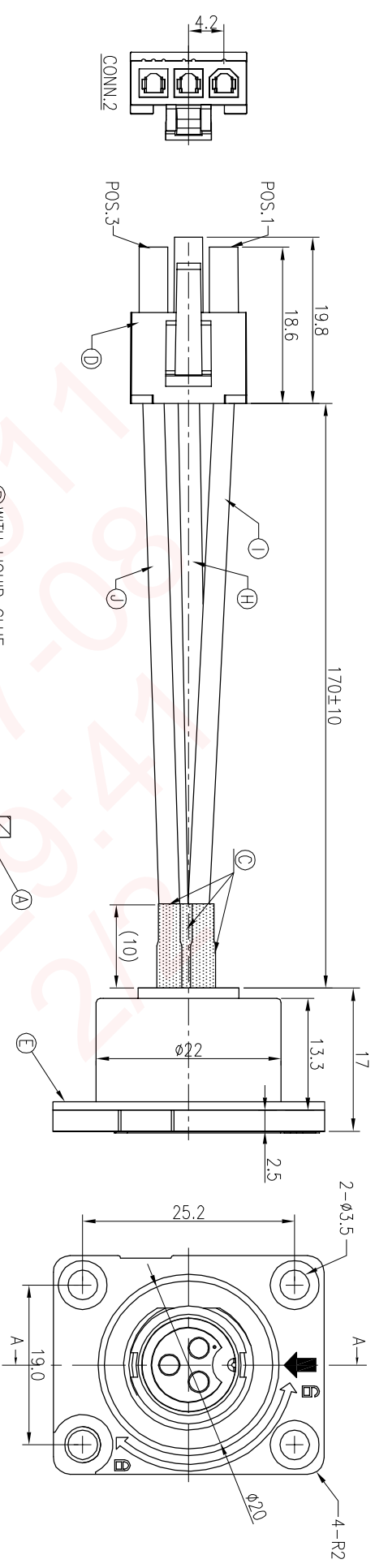
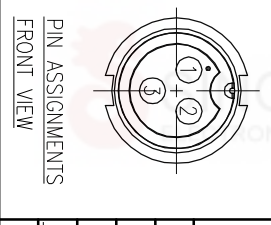


REV	ECN NO	OR DESCRIPTION	REVISED	DATE
A	PDR NO.1150316-2A	Yong	2015.05.27	



2CT3020-W034D0H

CONN.1



2	YELLOW	3
1	BLACK	2
3	RED	1

CONN.2	WIRE COLOR	CONN.1	PIN OUT

- NOTES:
1. WATERPROOF RATE: IP55
 2. ELECTRICAL CHARACTERISTICS
TEMPERATURE RANGE: -20°C TO +80°C
CURRENT RATING: 10A(FOR PANEL)
DIELECTRIC WITHSTANDING VOLTAGE: 1000V AC FOR ONE MINUTE
 3. SPECIFICATIONS:SEE "CIRCULAR SERIES SPECIFICATIONS"
 4. TO CONFORM TO SINGATRON HAZARDOUS SUBSTANCE FREE SPEC.
 5. GREEN PRODUCT IDENTIFICATION LABEL ON PACKAGING: **[GPR-1000]**
 6. THE TORQUE OF SCREWING: 3.5KG·MAX
 7. AFTER 5000CYCLES LIFE TEST OF DUST CAP WITHOUT ANY FRACTURES OR CRACKS OF THE BAD SITUATION.

J	WIRE	1	UL 1430 22AWG	RED
I	WIRE	1	UL 1430 22AWG	BLACK
H	WIRE	1	UL 1430 22AWG	YELLOW
G	FEMALE PIN	3	Phosphor Bronze	GOLD PLATING OVER NICKEL PLATING
F	PANEL BODY	1	PA66+GF	BLACK
E	GASKET	1	EPDM 70° ADHESIVE	BLACK
D	CONNECTOR	3	BRASS	TIN PLATING
C	HEAT SHRINK TUBE	1	TU P/N:TV4281HNO-1X03	WHITE
B	LIQUID GLUE	3	300V 125°	BLACK
A	HOUSING	1	N/A	BLACK
NO	DESCRIPTION	1	PA66+GF	BLACK

UNLESS OTHERWISE SPECIFIED TOLERANCES

DECIMALS:	ANGLES:
X :±0.5	X :±2°
X.X :±0.3	X.X :±1°
X.XX :±0.2	

TITLE	POWER 3PIN(PANEL 10A)
DWN	Yong
CHKD	JF
APVD	Horlen

Singatron Enterprise Co., Ltd.
信登企業股份有限公司

PART NO.2CT3020-W034D0H
SCALE 2:1 UNIT: mm

SIZE: A3 SHEET: 1 OF 1 REV: A

CUSTOMER COPY