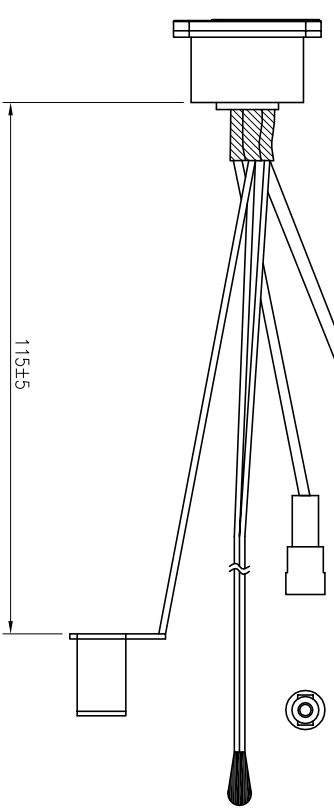
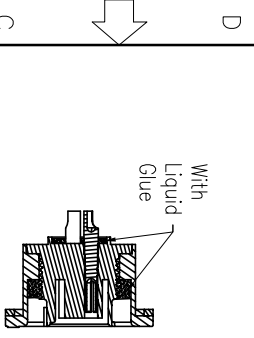
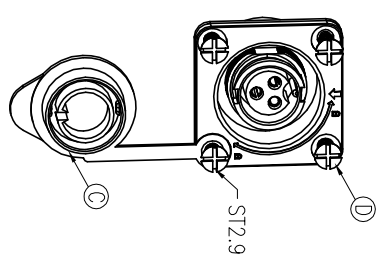
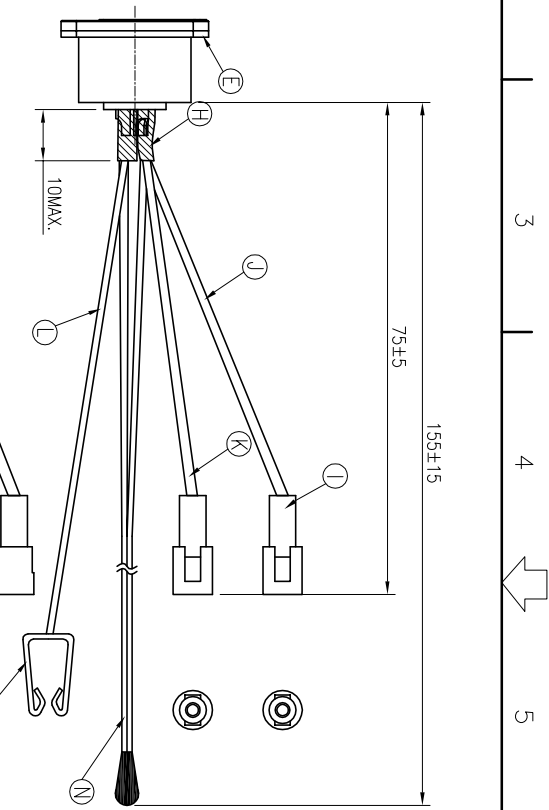
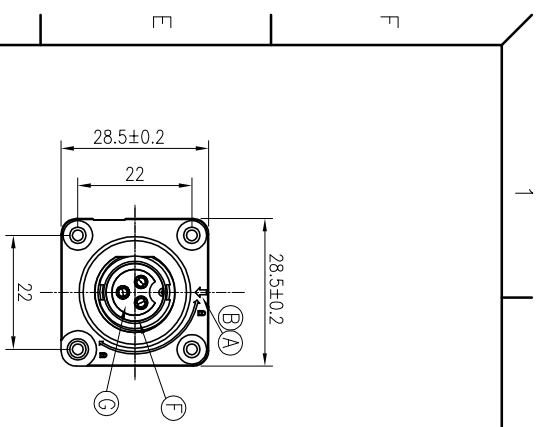
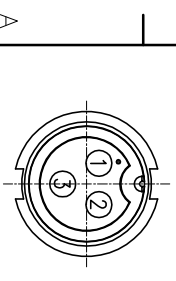


REV.	ECN NO.	OR DESCRIPTION	REVISED	DATE
A	PDR NO.:	T161213-3A	Yang	2018.01.08



3	GREEN&NTC
2	BLACK&NTC
1	RED
CONN.1	WIRE COLOR
PIN OUT	
CONN.1	



PIN ASSIGNMENTS
FRONT VIEW

- NOTES:
1. ELECTRICAL CHARACTERISTICS:
1-1 BREAKDOWN VOLTAGE:1000 VAC PER MINUTE.
2. ENVIRONMENTAL:
2-1 OPERATING TEMPERATURE: -20°C TO +80°C.
2-2 SEALING REQUIREMENTS: IP55.
3. LIFE TEST: 1,000 CYCLES Min.
4. OTHER GENERAL SPEC TO REFER "CIRCULAR SERIES GENERAL SPEC".
5. FOR TECHNICAL DATA REFER TO YOUR LOCAL SINGATRON ELECTRONICS SALES OFFICE.
6. ALL DIMENSIONS ARE NOMINAL FOR REFERENCE ONLY UNLESS OTHERWISE STATED.
7. TO CONFORM TO SINGATRON HAZARDOUS SUBSTANCE FREE SPEC.
8. 螺絲, 防護蓋以附件形式包裝出貨
9. GREEN PRODUCT IDENTIFICATION LABEL ON PACKAGING: **GR PASS**.

N	RES NTC	1	SS133-103F343FL15030/ TAY40/R25=10KΩ±1%	UL3302 30AWG/ BLACK
M	銅線	1	NO-4612	BLACK
L	WIRE	1	UL1007 26AWG	GREEN
K	WIRE	1	UL1015 20AWG	BLACK
J	WIRE	1	UL1015 20AWG	RED
I	CONNECTOR	2	TERMINAL:A00103BS-2	N/A
H	HEAT SHRINK TUBE	2	HOUSING:P1-A00103	WHITE
G	FEMALE PIN	3	125°C 300V	BLACK
F	PANEL BODY	3	PHOSPHOR BRONZE	GOLD FLATING OVER Ni
E	GASKET	1	PA66+GF	BLACK
D	SCREW	4	EPDM	BLACK
C	DUST CAP	1	STAINLESS STEEL	BLACK NICKEL
B	LIQUID GLUE	1	HYTREL	BLACK
A	HOUSING	1	/	BLACK
NO	DESCRIPTION	1	PA66+GF	BLACK
UNLESS OTHERWISE SPECIFIED TOLERANCES		QTY	MATERIAL	PLATING & COLOR
DECIMALS:		TITLE		
ANGLES:		3PIN POWER SOCKET		
X.XX :±0.2		DWM Yang		
X.X :±0.3		PART NO.2CT8020-W034G4H		
X.XX :±1°		CHKD JF		
X.XX :±0.2		APVD Steve		
		SCALE 2:1 UNIT: mm		
		SIZE: A3 SHEET:1 OF 1		
		REV:A		

Singatron Enterprise Co., Ltd.
 信登企業股份有限公司
CUSTOMER COPY