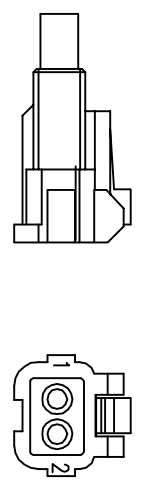
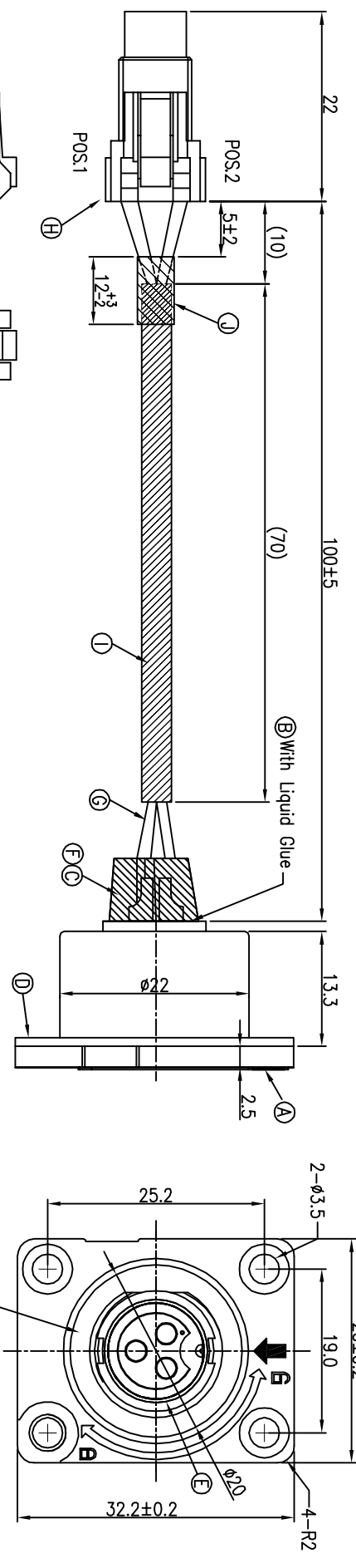
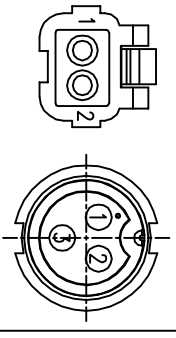


REV.	ECN NO OR PDR NO.	DESCRIPTION	REVISED	DATE
A	PDR NO.:T171024-5A		Jun	2018.04.04



2	BLACK	2
1	RED	1
CONN.2	WIRE COLOR	CONN.1
	PIN OUT	CONN.1



PIN ASSIGNMENTS
FRONT VIEW

- NOTES:
- ELECTRICAL CHARACTERISTICS:
 - 1-1 CURRENT RATING: 10 AMPS.
 - 1-2 CONTACT RESISTANCE: 3 Ohm Max.
 - 1-3 INSULATION RESISTANCE: 100 Mohm Min. at 500VDC.
 - 1-4 BREAKDOWN VOLTAGE: 1000 VAC PER MINUTE.
 - ENVIRONMENTAL:
 - 2-1 OPERATING TEMPERATURE: -20°C TO +80°C.
 - 2-2 SEALING REQUIREMENTS: IP65.
 - LIFE TEST: 1,000 CYCLES Min.
 - OTHER GENERAL SPEC. TO REFER "CIRCULAR SERIES GENERAL SPEC."
 - FOR TECHNICAL DATA REFER TO YOUR LOCAL SINGATRON ELECTRONICS SALES OFFICE.
 - ALL DIMENSIONS ARE NOMINAL FOR REFERENCE ONLY UNLESS OTHERWISE STATED.
 - TO CONFORM TO SINGATRON HAZARDOUS SUBSTANCE FREE SPEC.
 - GREEN PRODUCT IDENTIFICATION LABEL ON PACKAGING: .

J	SHRINK TUBE	1	125°C 600V	BLUE
I	SHRINK TUBE	1	125°C 300V	BLACK
H	CONNECTOR	2	TER:DF63W-1618SCF	TIN PLATING
		1	HRS:DF63WA-2S-3.96C	BLACK
G	WIRE	2	UL1007 18AWG	SEE TABLE
F	FEMALE PIN	3	Phosphor Bronze	1u" GOLD PLATING OVER NICKEL PLATING
E	PANEL BODY	1	PA66+GF	BLACK
D	GASKET	1	SILICONE ADHESIVE	BLACK
C	SHRINK TUBE	2	φ3.5 300V	BLACK
B	LIQUID GLUE	2	/	BLACK
A	HOUSING	1	PA66+GF	BLACK
NO	DESCRIPTION	QTY	MATERIAL	PLATING & COLOR
UNLESS OTHERWISE SPECIFIED TOLERANCES				
Singatron Enterprise Co., Ltd. 信普企業股份有限公司				
TITLE 3PIN POWER SOCKET 10A				
DECIMALS:	ANGLES:			
X :.F0.5	X :±2'			
X.X :.F0.3	X.X :±1'			
X.XX :.F0.2				
DWN Jun	PART NO. 2CT9020-W034G0H			
CHKD Jf	SCALE 2:1 UNIT: mm			
APVD Steve	SIZE: A3 SHEET: 1 OF 1 REV: A			
CUSTOMER COPY				