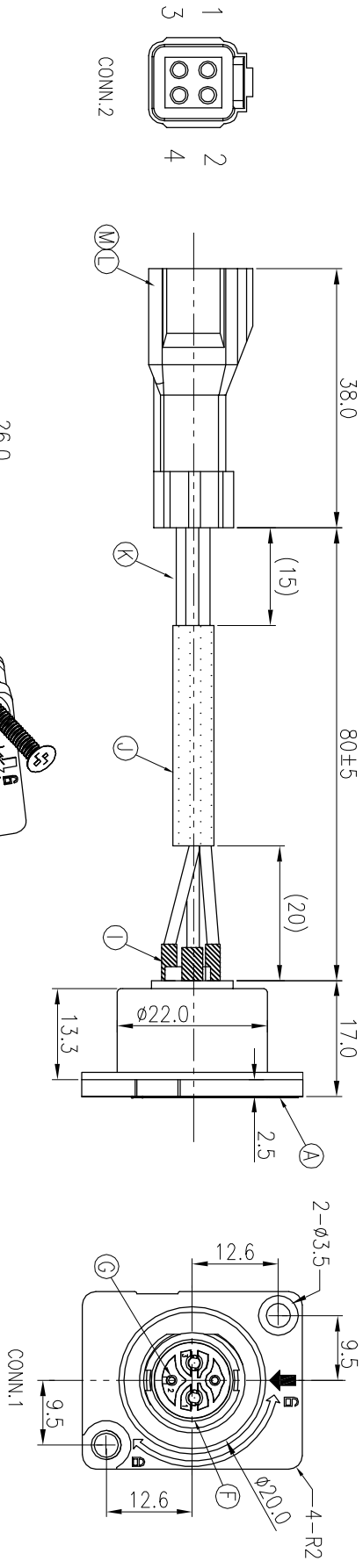
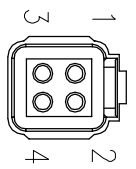


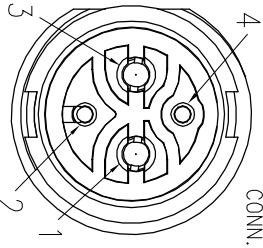
REV	ECN NO OR DESCRIPTION	REVISED	DATE
A	PDR NO:T170317-5A	Jun	2018.03.22



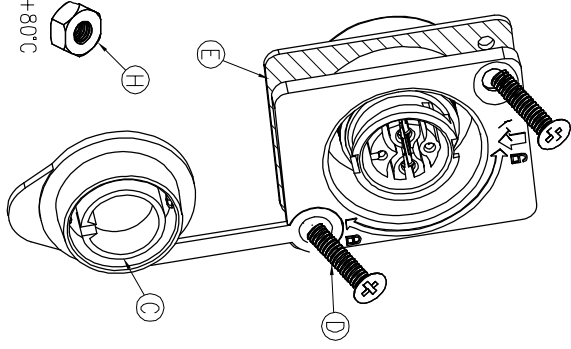
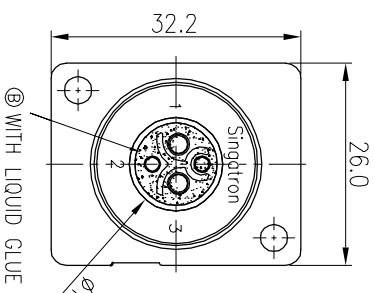
4	GREY 22AWG (CANH)	2
1	RED 16AWG (+36V)	3
3	ORANGE 22AWG (CANL)	4
2	BLACK 16AWG (GND)	1
WIRE COLOR		CONN.1
PIN OUT & SPEC		CONN.1
		CONN.2



PIN ASSIGNMENTS  
FRONT VIEW



PIN ASSIGNMENTS  
FRONT VIEW



- NOTES:
1. WATERPROOF RATE: IP55
  2. ELECTRICAL CHARACTERISTICS TO +80°C  
TEMPERATURE RANGE:  
CURRENT RATING: 5+10A
  3. SPECIFICATIONS:SEE "CIRCULAR SERIES SPECIFICATIONS".
  4. TO CONFORM TO SINGATRON HAZARDOUS SUBSTANCE FREE SPEC.
  5. GREEN PRODUCT IDENTIFICATION LABEL ON PACKAGING:
  6. 螺絲, 防護蓋以附件形式包裝出貨
  7. THE TORQUE OF SCREWING 3.5KGF MAX
  8. AFTER 5000 CYCLES LIFE TEST OF DUST CAP WITHOUT ANY FRACTURES OR CRACKS OF THE BAD SITUATION.

MATERIAL	QTY	DESCRIPTION	PLATING & COLOR
M	4	TERMINAL	BRASS
L	1	CONNECTOR	HIROSE DF63MA-4EP-3.96C
K	4	WIRE	UL1007
J	1	ACETATE CLOTH	TO.12
I	4	HEAT SHRINK TUBE	BLACK
H	2	NUT	STAINLESS STEEL
G	4	FEMALE PIN	Phosphor Bronze
F	1	PANEL BODY	PA66+GF
E	1	GASKET	EPDM ADHESIVE
D	2	SCREW	STAINLESS STEEL
C	1	DUST CAP	HYREL 4056
B	1	LIQUID GLUE	N/A
A	1	HOUSING	PA66+GF
NO	1	DESCRIPTION	MATERIAL

UNLESS OTHERWISE SPECIFIED TOLERANCES

DECIMALS: ANGLES:

X :±0.5 X :±2  
X.X :±0.3 X.X :±1'  
X.XX :±0.2

TITLE	(2+2)PIN POWER SOCKET
DWN	Jun
CHKD	JF
APVD	Steve
PART NO.2CT3020-W0483H	
SCALE 1.5:1 UNIT: mm	
SIZE: A3 SHEET: 1 OF 1 REV: A	
CUSTOMER COPY	

