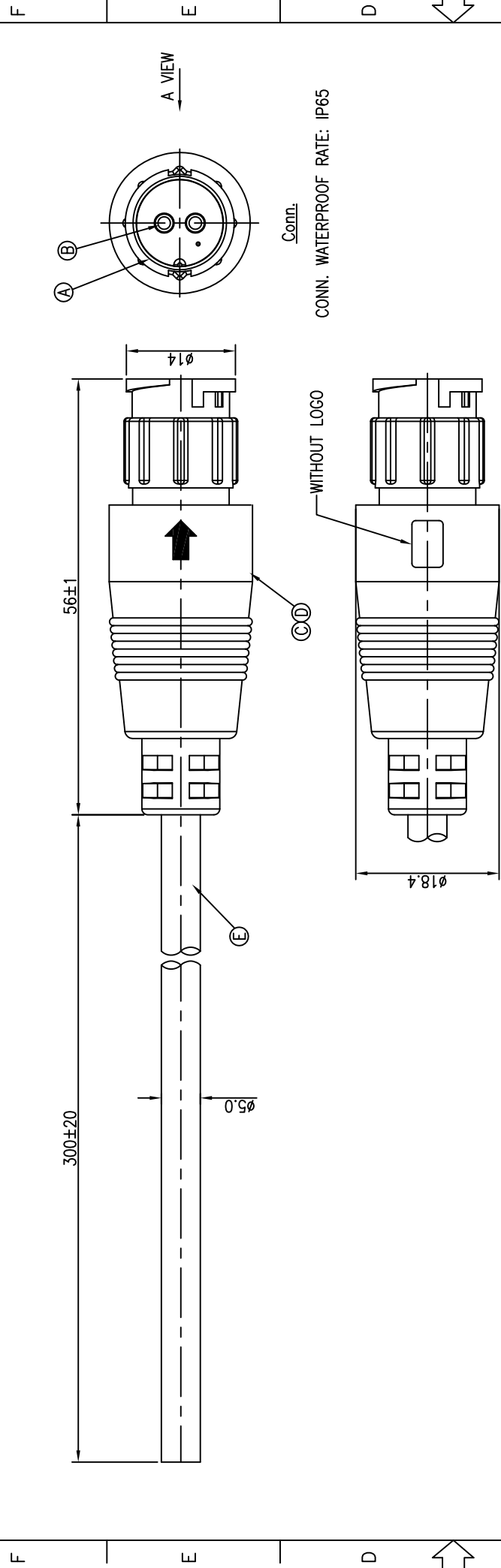


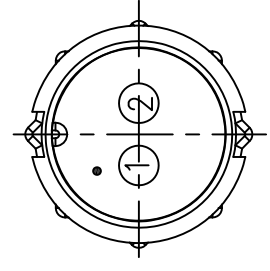
REV. ECN NO OR DESCRIPTION	REVISED	DATE
A PDR NO.:S100513-1A	Shawn	2010.07.20



CONN. WATERPROOF RATE: IP65

A VIEW

BLACK	2
RED	1
WIRE COLOR	CONN.
PIN OUT	
CONN.	



- NOTES:
1. WATERPROOF RATE: IP65
  2. CURRENT RATING: 5A
  3. SPECIFICATIONS: SEE "CIRCULAR SERIES SPECIFICATIONS".
  4. TO CONFORM TO SINGATRON HAZARDOUS SUBSTANCE FREE SPEC. (G.P. PASS)
  5. GREEN PRODUCT IDENTIFICATION LABEL ON PACKAGING: (G.P. PASS)

E	CABLE	1	UL2464 20AWG*2C (UV RESISTANT) OD= $\phi 5.0$	BLACK PVC JACKET
D	INNER MOLD	1	TPU	NATURAL
C	OVER MOLD	1	PVC	BLACK
B	MALE PIN	2	BRASS	1~3 $\mu$ GOLD FLASH OVER NICKEL PLATING
A	BODY	1	NYLON+GF	BLACK
NO	DESCRIPTION	QTY	MATERIAL	PLATING & COLOR
UNLESS OTHERWISE SPECIFIED TOLERANCES				
DECIMALS: ANGLES: X : $\pm 0.5$ X : $\pm 2^\circ$ X.X : $\pm 0.3$ X.X : $\pm 1^\circ$ X.XX : $\pm 0.2$				
TITLE: CIRCULAR STANDARD SIZE (IP65) MALE CONN. MALE 2PIN(5A) LOCK TYPE				
DWN: Shawn				
CHKD: Steve				
APVD: Max				
SCALE: 2:1 UNIT: mm				
SIZE: A3 SHEET: 1 OF 1 REV: A				
CUSTOMER COPY				

Singatron Enterprise Co., Ltd.  
信亨企業股份有限公司