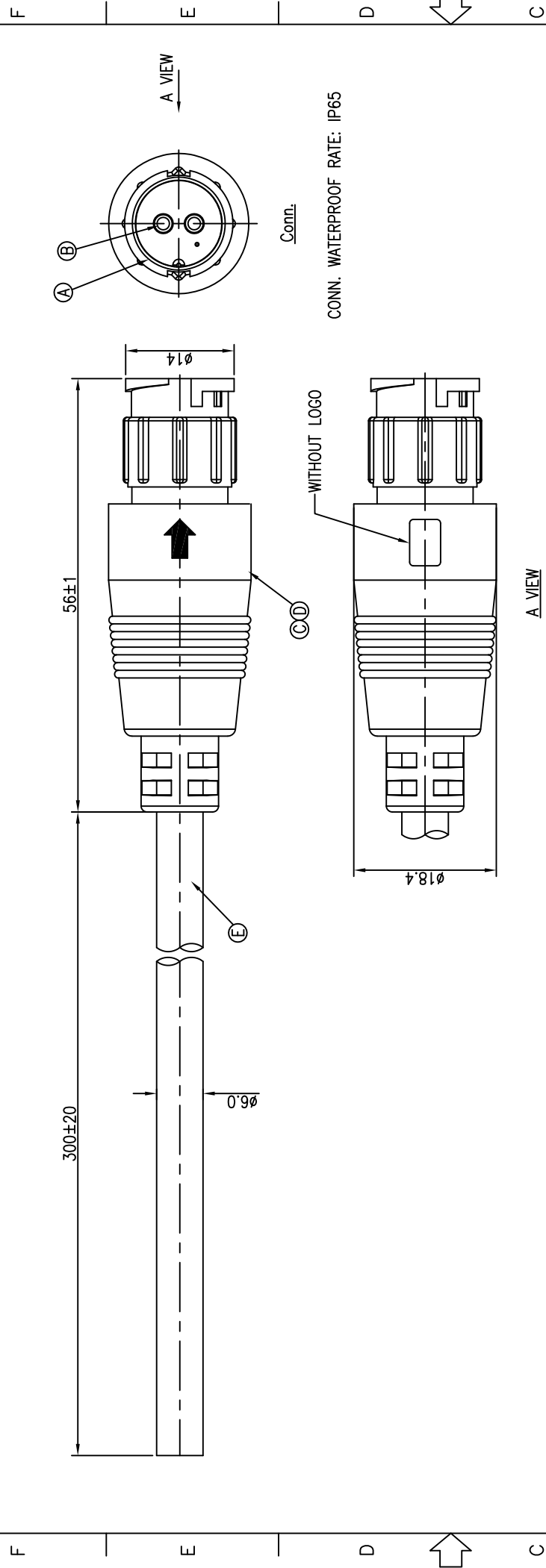
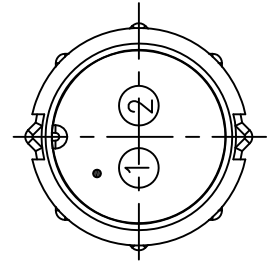


REV. ECN NO OR DESCRIPTION	REVISED	DATE
A PDR NO.:S100513-1A	Shawn	2010.07.20



BLACK	2
RED	1
WIRE COLOR	CONN.
PIN OUT	
CONN.	



- NOTES:
1. WATERPROOF RATE: IP65
 2. CURRENT RATING: 5A
 3. SPECIFICATIONS: SEE "CIRCULAR SERIES SPECIFICATIONS".
 4. TO CONFORM TO SINGATRON HAZARDOUS SUBSTANCE FREE SPEC.
 5. GREEN PRODUCT IDENTIFICATION LABEL ON PACKAGING: G.P. PASS

E	CABLE	1	UL2464 20AWG*2C (UV RESISTANT) OD=φ6.0	BLACK PVC JACKET
D	INNER MOLD	1	TPU	NATURAL
C	OVER MOLD	1	PVC	BLACK
B	MALE PIN	2	BRASS	1~3μ GOLD FLASH OVER NICKEL PLATING
A	BODY	1	NYLON+GF	BLACK
NO	DESCRIPTION	QTY	MATERIAL	PLATING & COLOR
UNLESS OTHERWISE SPECIFIED TOLERANCES				
Singatron Enterprise Co., Ltd. 信晉企業股份有限公司				
DECIMALS: ANGLES:				
X	:±0.5	X	:±2°	
X.X	:±0.3	X.X	:±1°	
X.XX	:±0.2			
CIRCULAR STANDARD SIZE (IP65)				
TITLE MALE CONN. MALE 2PIN(SA) LOCK TYPE				
DWN	Shawn	PART NO.	2CT3024-W02302	
CHKD	Steve	SCALE	2:1	UNIT: mm
APVD	Max	SIZE: A3	SHEET: 1 OF 1 REV: A	
CUSTOMER COPY				