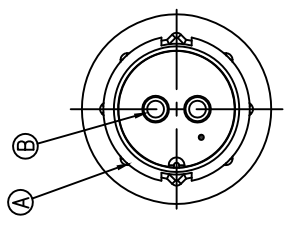
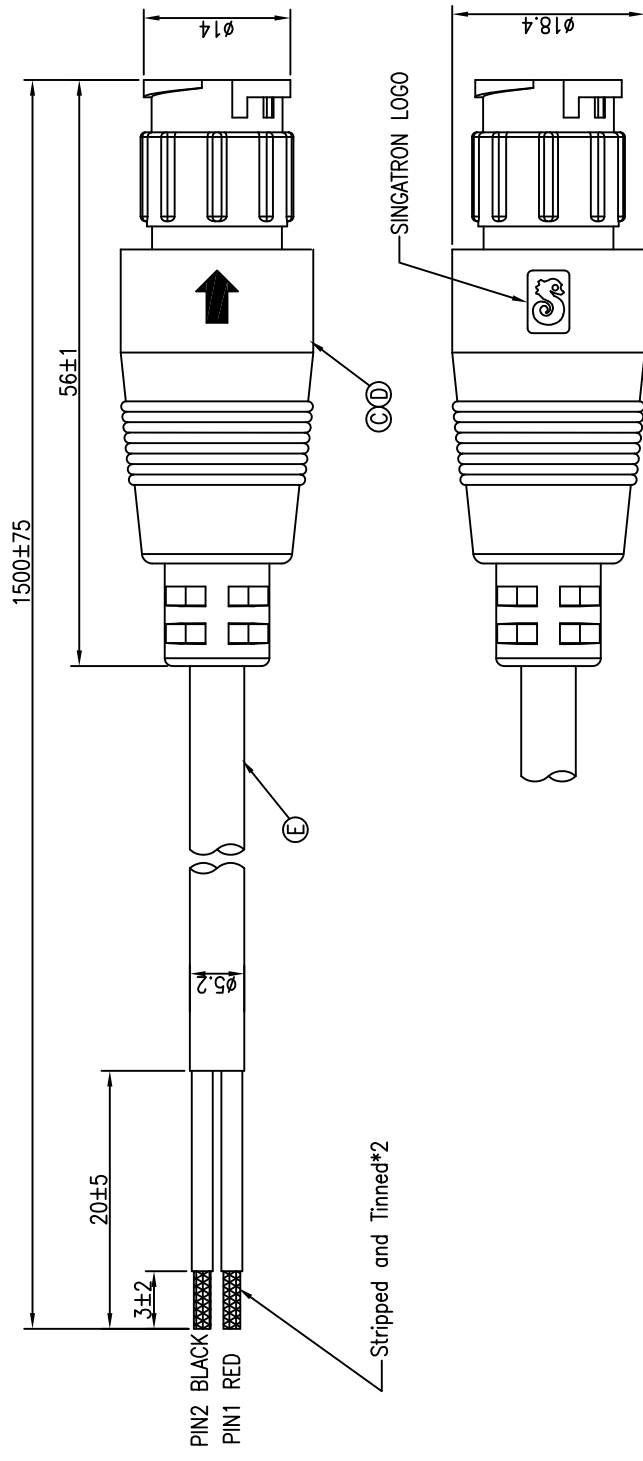


REV. ECN NO OR DESCRIPTION	REVISED	DATE
A PDR NO.:S100903-6A	LILY	2010.09.17

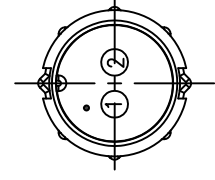


Conn.

CONN. WATERPROOF RATE: IP67

A VIEW

BLACK	2
RED	1
WIRE COLOR	CONN.
PIN OUT	



Pin Assignments
Front View

E	CABLE	1	UL2464 18AWG*2C (UV RESISTANT) OD=Ø5.2	BLACK(PVC JACKET)
D	INNER MOLD	1	TPU	NATURAL
C	OVER MOLD	1	PVC	BLACK
B	MALE PIN	2	BRASS	6u" GOLD PLATED OVER NICKEL PLATING
A	BODY	1	NYLON+33%GF	BLACK
NO	DESCRIPTION	QTY	MATERIAL	PLATING & COLOR
UNLESS OTHERWISE SPECIFIED TOLERANCES				
Singatron Enterprise Co., Ltd. 信晉企業股份有限公司				
DECIMALS: ANGLES:				
X	:±0.5	X	:±2°	
X.X	:±0.3	X.X	:±1°	
X.XX	:±0.2			
TITLE: CIRCULAR STANDARD SIZE (IP67) MALE CONN. MALE 2PIN(10A) LOCK TYPE				
DWN: LILY PART NO. 2CT3024-W02411				
CHKD: Steve SCALE 2:1 UNIT: mm				
APVD: Max SIZE: A3 SHEET: 1 OF 1 REV: A				
CUSTOMER COPY				

NOTES:

1. WATERPROOF RATE: IP67
IP67: IMMERSED IN 1M WATER FOR 30 MINUTES
2. CURRENT RATING: 10A
3. SPECIFICATIONS: SEE "CIRCULAR SERIES SPECIFICATIONS".
4. TO CONFORM TO SINGATRON HAZARDOUS SUBSTANCE FREE SPEC.
5. GREEN PRODUCT IDENTIFICATION LABEL ON PACKAGING: [G.P. PASS]