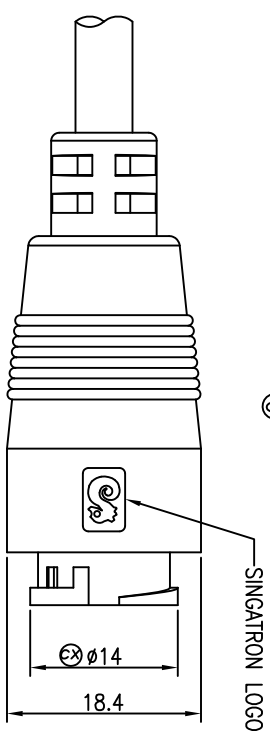
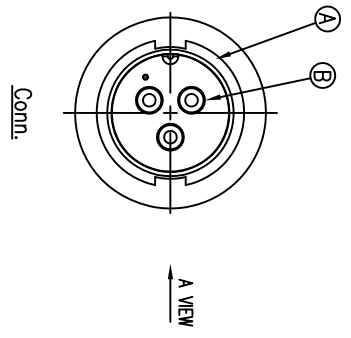
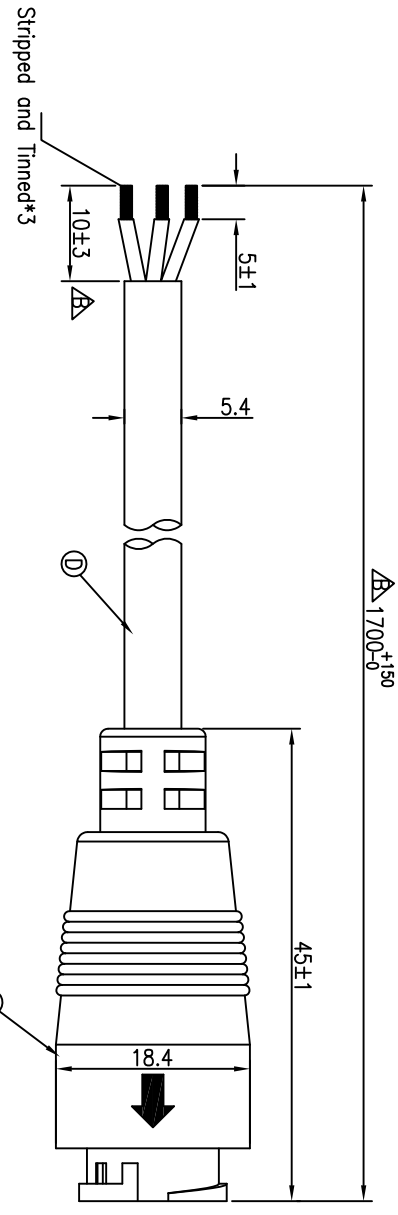
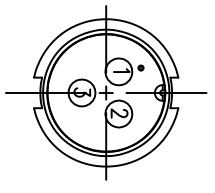


REV.	ECN NO OR DESCRIPTION	REVISED	DATE
A	PDR NO.:S100105-5A	Horlen	2010.03.23
B	ECN NO.:S100505	Horlen	2010.05.25



BLUE	3
YELLOW	2
GREEN	1
WIRE COLOR	CONN.
PIN OUT	



Pin Assignments
Front View

- NOTES:
1. WATERPROOF RATE: IP65(WHEN PROPERLY MATED)
 2. CURRENT RATING:10A
 3. OTHER SPECIFICATIONS:SEE "CIRCULAR SERIES SPECIFICATIONS".
 4. TO CONFORM TO SINGATRON HAZARDOUS SUBSTANCE FREE SPEC.
 5. GREEN PRODUCT IDENTIFICATION LABEL ON PACKAGING: G.P. PASS

D	CABLE	1	18AWG*3C OD=05.4	BLACK
C	OVER MOLD	1	PVC	BLACK
B	MALE PIN	3	BRASS	6u" GOLD PLATING OVER NICKEL PLATING
A	BODY	1	NYLON+GF	BLACK

NO	DESCRIPTION	QTY	MATERIAL	PLATING & COLOR
UNLESS OTHERWISE SPECIFIED TOLERANCES				
DECIMALS: ANGLES:				
X	:±0.5	X	:±2°	
X.X	:±0.3	X.X	:±1°	
X.XX	:±0.2			

Singatron Enterprise Co., Ltd. 信音企業股份有限公司	
TITLE	CIRCULAR STANDARD SIZE (IP65)
DWN	MALE CONN. MALE PIN 3 PIN(10A) LOCK TYPE
CHKD	SCALE 2:1 UNIT: mm
APVD	SIZE: A3 SHEET:1 OF 1 REV:B

CUSTOMER COPY