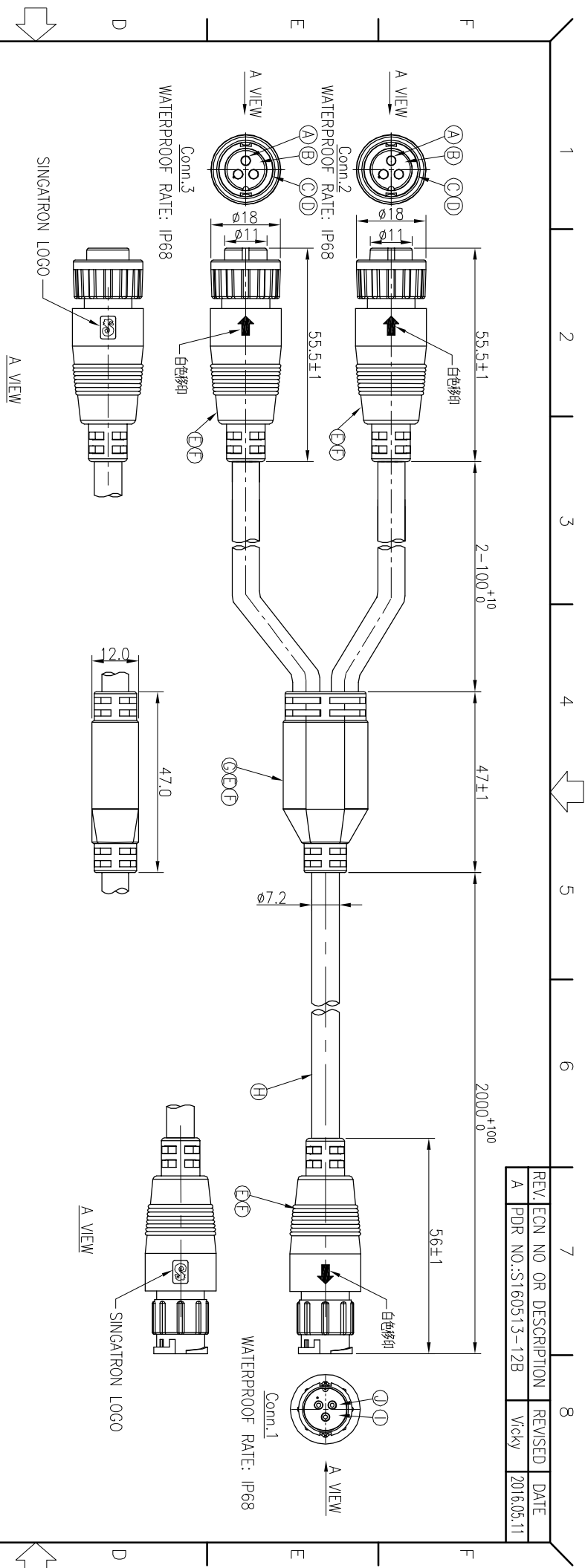


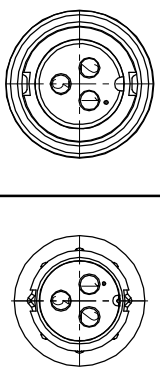
REV.	ECN NO.	OR DESCRIPTION	REVISED	DATE
A	PDR NO.:	S160513-12B	Vicky	2016.05.11



CUSTOMER P/N	SINGATRON P/N
K31 350.478.41.1284	ZCT3024-W03424H

CONN. 2&3	WIRE COLOR	CONN. 1
3	DRAIN	3
2	BLUE	2
1	WHITE	1

CONN. 2&3	CONN. 1
PIN OUT	



Pin Assignments
Front View

- NOTES:
1. WATERPROOF RATE: IP68
 2. CURRENT RATING: 10A
 3. SPECIFICATIONS: SEE "CIRCULAR SERIES SPECIFICATIONS".
 4. TO CONFORM TO SINGATRON HAZARDOUS SUBSTANCE FREE SPEC.
 5. GREEN PRODUCT IDENTIFICATION LABEL ON PACKAGING: **G.P. PASS**

J	MALE PIN	3	BRASS	GOLD PLATING OVER NICKEL PLATING
I	BODY	1	NYLON+GF	BLACK
H	CABLE(零件)	1	2*2AWG 3.50.4634.1.1357	BLACK
G	ACETATE CLOTH	1	W:18 T:0.18	BLACK
F	INNER MOLD	4	TPU	NATURAL
E	OVER MOLD	4	PVC	BLACK
D	O-RING	2	EPDM SHORE A 70°	BLACK
C	LOCK NUT	2	PA66+GF	BLACK
B	FEMALE PIN	6	Phosphor Bronze C5210-EH 0.3T	(1~3)u" GOLD PLATING OVER NICKEL PLATING
A	BODY	2	PA66+GF	BLACK
NO	DESCRIPTION	QTY	MATERIAL	PLATING & COLOR

UNLESS OTHERWISE SPECIFIED TOLERANCES

DECIMALS: ANGLES:

X : ±0.5 X : ±2°
X.X : ±0.3 X.X : ±1°
X.XX : ±0.2

Singatron Enterprise Co., Ltd.
信登企業股份有限公司

CIRCULAR STANDARD SIZE (IP68)
MALE CONN. MALE 3 PIN LOCK TYPE

PART NO. ZCT3024-W03424H

SCALE 1:1 UNIT: mm

SIZE: A3 SHEET: 1 OF 1 REV: A

CUSTOMER COPY