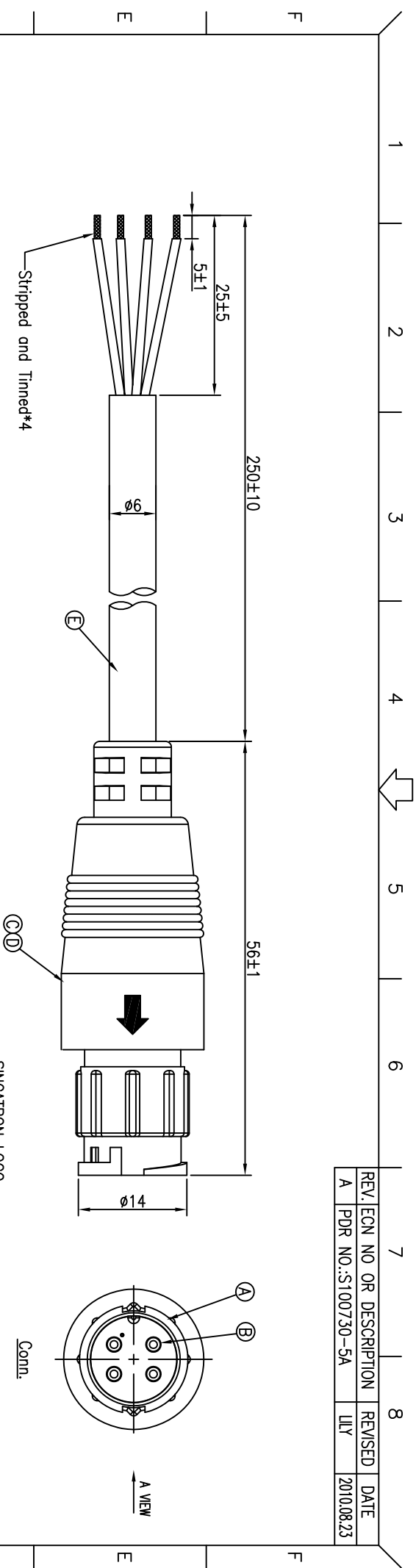
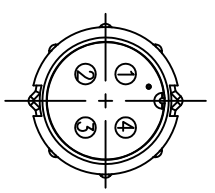


REV.	ECN NO.	OR DESCRIPTION	REVISED	DATE
A	PDR NO.:	S100730-5A	LLY	2010.08.23



C	YELLOW	4
	ORANGE	3
	RED	2
	BROWN	1
	WIRE COLOR	CONN.
B	PIN OUT	

E	CABLE	1	UL2464 24AWG*4C+ A/My(UV RESISTANT) OD= ϕ 6.0	BLACK(PVC JACKET)
D	INNER MOLD	1	TPU	NATURAL
C	OVER MOLD	1	PVC	BLACK
B	MALE PIN	4	BRASS	6u" GOLD PLATING OVER NICKEL PLATING
A	BODY	1	NYLON+33%GF	BLACK
NO	DESCRIPTION	QTY	MATERIAL	PLATING & COLOR



Pin Assignments
Front View

- NOTES:
1. WATERPROOF RATE: IP67
IP67: IMMERSED IN 1M WATER FOR 30 MINUTES
 2. CURRENT RATING: 5A
 3. SPECIFICATIONS:SEE "CIRCULAR SERIES SPECIFICATIONS".
 4. TO CONFORM TO SINGATRON HAZARDOUS SUBSTANCE FREE SPEC.
 5. GREEN PRODUCT IDENTIFICATION LABEL ON PACKAGING: GR PASS

UNLESS OTHERWISE SPECIFIED TOLERANCES		DECIMALS:		ANGLES:	
X	: \pm 0.5	X	: \pm 2'	X	: \pm 0.3
X	: \pm 0.3	X	: \pm 1'	X	: \pm 0.2
X	: \pm 0.2				

TITLE		CIRCULAR STANDARD SIZE (IP67)	
DWN		LILY	
CHKD		Stevé	
APVD		Max	
PART NO.		SCALE 2:1	
UNIT: mm		SHEET: 1 OF 1	
REV: A		REV: A	

Singatron Enterprise Co., Ltd.
信音企业股份有限公司

CUSTOMER COPY