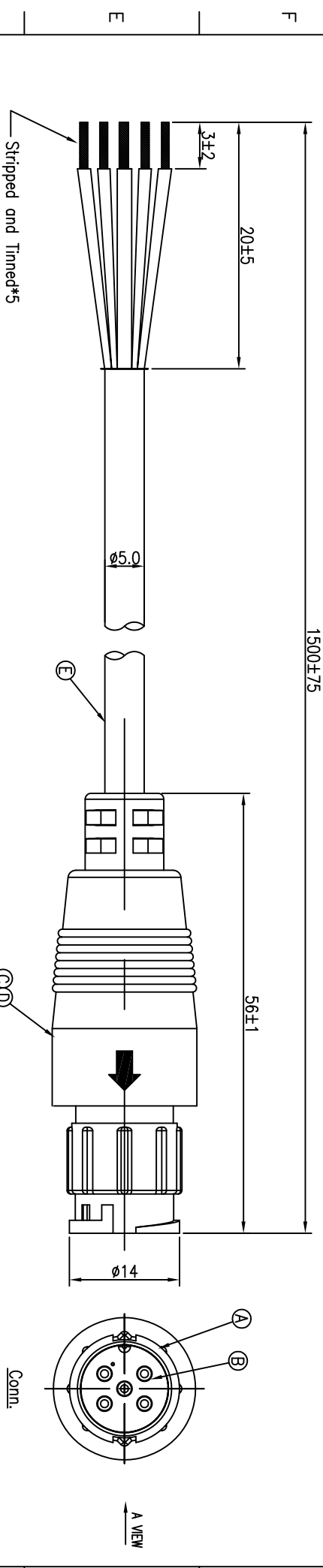
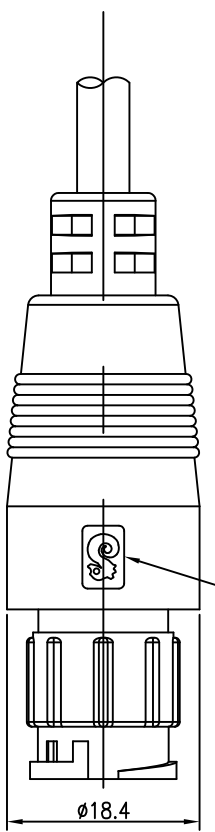
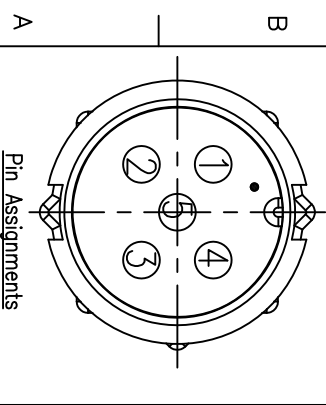


REV.	ECN NO OR DESCRIPTION	REVISED	DATE
A	PDR NO:S:100903-4A	LILY	2010.09.17



BLUE	5
BLACK	4
WHITE	3
RED	2
BROWN	1
WIRE COLOR	CONN.
PIN OUT	



- NOTES:
1. WATERPROOF RATE: IP67
IP67: IMMersed IN 1M WATER FOR 30 MINUTES
 2. CURRENT RATING: 5A
 3. SPECIFICATIONS:SEE "CIRCULAR SERIES SPECIFICATIONS."
 4. TO CONFORM TO SINGATRON HAZARDOUS SUBSTANCE FREE SPEC.
 5. GREEN PRODUCT IDENTIFICATION LABEL ON PACKAGING: [UL, PA66]

E	CABLE	1	UL2464 24#*5C+AL (UV RESISTANT)	BLACK (PVC JACKET)
D	INNER MOLD	1	TPU	BLACK
C	OVER MOLD	1	PVC	BLACK
B	MALE PIN	5	BRASS	1~3u" GOLD PLATING OVER NICKEL PLATING
A	BODY	1	NYLON+33%GF	BLACK
NO	DESCRIPTION	QTY	MATERIAL	PLATING & COLOR

UNLESS OTHERWISE SPECIFIED TOLERANCES

DECIMALS:	ANGLES:
X :±0.5	X :±.2°
X.X :±0.3	X.X :±.1°
X.XX :±0.2	

Singatron Enterprise Co., Ltd.
信音企業股份有限公司

CIRCULAR STANDARD SIZE (IP67)
MALE CONN. MALE 5PIN(5A) LOCK TYPE

PART NO. 2CT13024-W05302

CHKD	Steve	SCALE 2:1	UNIT: mm
APVD	Max	SIZE: A3	SHEET: 1 OF 1

REV: A

CUSTOMER COPY