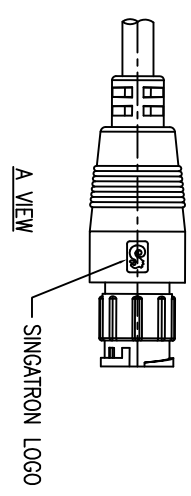
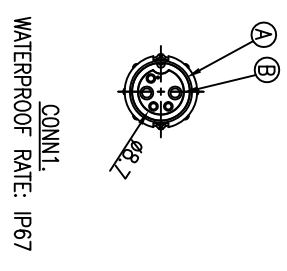
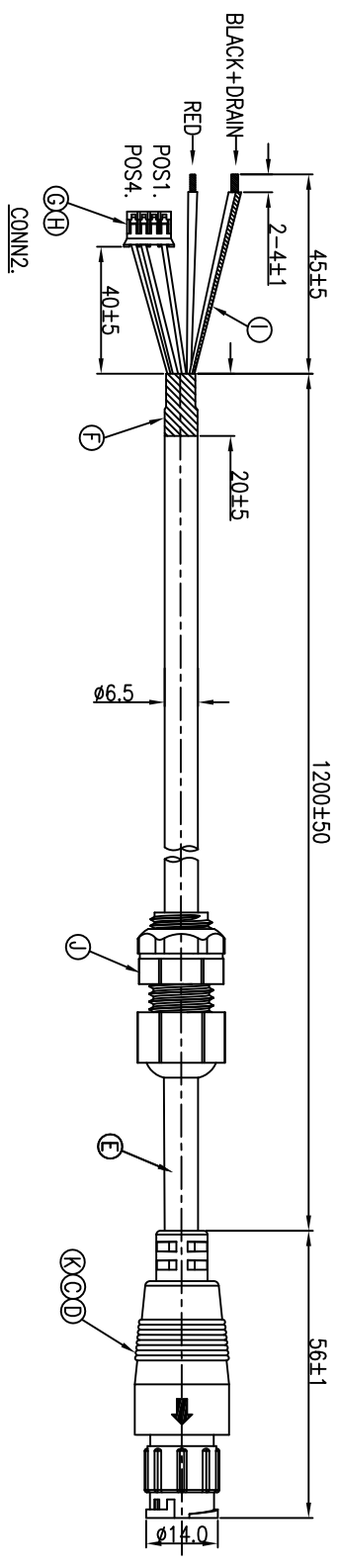
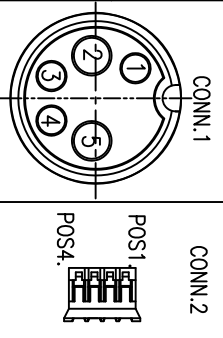


REV.	ECN NO	OR DESCRIPTION	REVISED	DATE
A	PDR NO.:S150203-16A	Vicky	2015.01.26	



5	RED(16#)	1
4	YELLOW(24#)	1
3	ORANGE(24#)	4
2	BLACK(16#)+DRAIN	3
1	RDE(24#)	3
CONN1.	WIRE COLOR	CONN2.



Pin Assignments  
Front View

- NOTES:
1. WATERPROOF RATE: IP67
  2. CURRENT RATING: (10A+5A)
  3. SPECIFICATIONS:SEE "CIRCULAR SERIES SPECIFICATIONS".
  4. TO CONFORM TO SINGATRON HAZARDOUS SUBSTANCE FREE SPEC.
  5. GREEN PRODUCT IDENTIFICATION LABEL ON PACKAGING:

J	CABLE GLAND	1	PC9330 套供	N/A
I	HEAT SHRINK TUBE	2	125' 300V L=70	BLACK
H	HOUSING	1	NYLON 66 UL 94V-0	WHITE
G	TERMINAL	3	Phosphor Bronze	TINNED
F	HEAT SHRINK TUBE	1	125' 300V L=20	BLACK
E	CABLE	1	UL2464 16AWG*2C+ (24AWG*2C+AL)+AL+D	WHITE(PVC JACKET)
D	INNER MOLD	1	TPU	NATURAL
C	OVER MOLD	1	PVC	WHITE
B	FEMALE PIN	5	Phosphor Bronze	6u" GOLD PLATING OVER NICKEL PLATING
A	BODY	1	PA66+25%GF	WHITE
NO	DESCRIPTION	QTY	MATERIAL	PLATING & COLOR

UNLESS OTHERWISE SPECIFIED TOLERANCES

DECIMALS: ANGLES:

X :±0.5 X :±2

XX :±0.3 X.X :±1'

XXX :±0.2

Singatron Enterprise Co., Ltd.  
信登企業股份有限公司

CIRCULAR STANDARD SIZE (LOCK TYPE)  
MALE CONN. FEMALE (2+3) PIV(10+5)A

TITLE: PART NO.2CT9330-W05812H

CHKD: Harlen SCALE 1:1 UNIT: mm

APVD: Steve SIZE: A3 SHEET: 1 OF 1 REV: A

CUSTOMER COPY