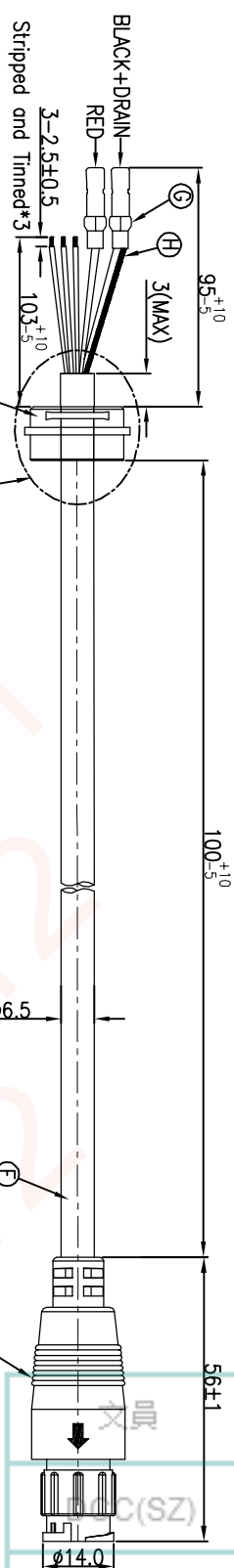
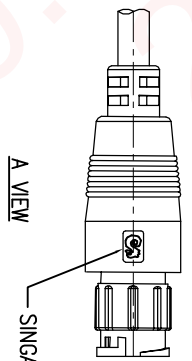
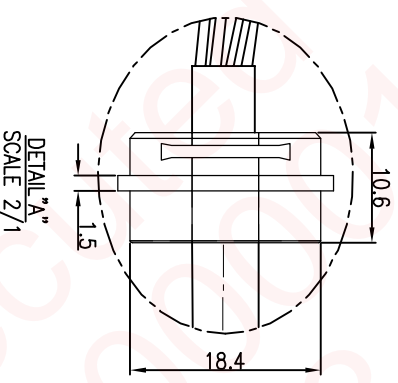


REV	ECN NO OR DESCRIPTION	REVISED	DATE
A	PDR NO.:S150309-10D	Vicky	2015.02.11

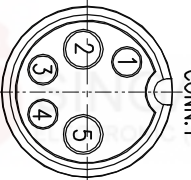


CONN1.  
WATERPROOF RATE: IP67



A VIEW  
SINGATRON LOGO

5	RED(16#)
4	YELLOW(24#)
3	ORANGE(24#)
2	BLACK(16#)
1	RDE(24#)
CONN1.	WIRE COLOR
PIN OUT	
CONN.1	



Pin Assignments  
Front View

- NOTES:
1. WATERPROOF RATE: IP67  
IP67: IMMERSED IN 1M WATER FOR 30 MINUTES
  2. CURRENT RATING: (10A+5A)
  3. SPECIFICATIONS:SEE "CIRCULAR SERIES SPECIFICATIONS".
  4. TO CONFORM TO SINGATRON HAZARDOUS SUBSTANCE FREE SPEC.
  5. GREEN PRODUCT IDENTIFICATION LABEL ON PACKAGING:

H	HEAT SHRINK TUBE	1	0D:1.0 300V	BLACK
G	TERMINAL	2	99141(密弗)	TINNED
F	SR	1	HYTREL	WHITE
E	CABLE	1	UL2464 16AWG*2C+(24AWG*2C+AL)+AL+D	WHITE(PVC JACKET)
D	INNER MOLD	1	TPU	NATURAL
C	OVER MOLD	1	PVC	WHITE
B	FEMALE PIN	5	Phosphor Bronze	6u" GOLD PLATING OVER NICKEL PLATING
A	BODY	1	PA66+25%GF	WHITE
NO	DESCRIPTION	QTY	MATERIAL	PLATING & COLOR
UNLESS OTHERWISE SPECIFIED TOLERANCES				
Singatron Enterprise Co., Ltd. 信登企業股份有限公司				
DECIMALS: ANGLES:				
X	:±0.5	X	:±2°	
X.X	:±0.3	X.X	:±1'	
X.XX	:±0.2			
TITLE: CIRCULAR STANDARD SIZE (LOCK TYPE)				
DWN	Vicky	PART NO.:	2CT13030-705814H	
CHKD	Horlen	SCALE:	1:1	UNIT: mm
APVD	Steve	SIZE:	A3	SHEET: 1 OF 1
REVISION: A				
CUSTOMER COPY				