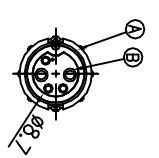
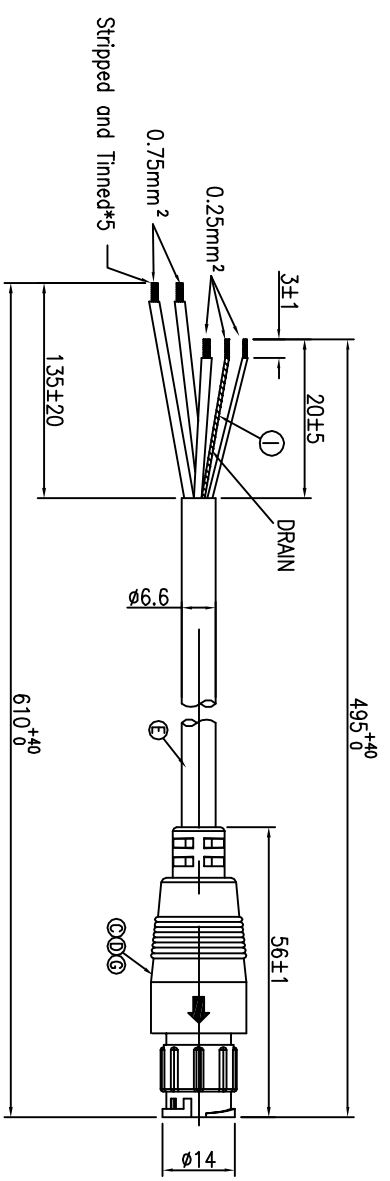
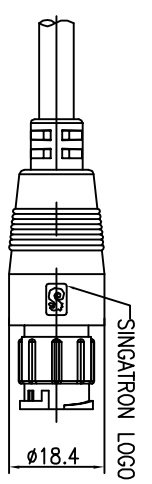


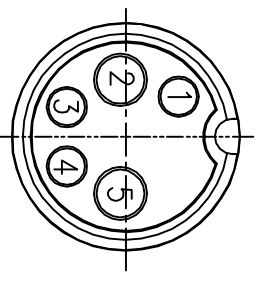
REV.	ECN NO OR DESCRIPTION	REVISED	DATE
A	PDR NO.:S150720-2A	Yang	2015.12.16



Comp.
WATERPROOF RATE: IP67



WHITE (0.75mm ²)	5
DRAIN (0.2mm ²)	4
RED (0.2mm ²)	3
BLACK (0.75mm ²)	2
WHITE (0.2mm ²)	1
WIRE COLOR	CONN.
PIN OUT	



Pin Assignments
Front View

- NOTES:
1. WATERPROOF RATE: IP67
IP67: IMMERSIED IN 1M WATER FOR 30 MINUTES
 2. SPECIFICATIONS:SEE "CIRCULAR SERIES SPECIFICATIONS".
 3. TO CONFORM TO SINGATRON HAZARDOUS SUBSTANCE FREE SPEC.
 4. GREEN PRODUCT IDENTIFICATION LABEL ON PACKAGING:

I	TUBE	1	125°C 300V	BLACK
H	TUBE	1	125°C 300V	BLACK
G	LIQUIDE GLUE	1	N/A	BLACK
F	TUBE	5	125°C 300V	BLACK
E	CABLE	1	(2*0.2mm ² +0.2mm ² 扭線)+2*0.75mm ²	BLACK
D	INNER MOLD	1	TPU	NATURAL
C	OVER MOLD	1	PVC	BLACK
B	FEMALE PIN	5	PHOSPHOR BRONZE	GOLD PLATING OVER NICKEL PLATING
A	BODY	1	NYLON+GF	BLACK
NO	DESCRIPTION	QTY	MATERIAL	PLATING & COLOR
UNLESS OTHERWISE SPECIED TOLERANCES				
Singatron Enterprise Co., Ltd. 信登企業股份有限公司				
TITLE CIRCULAR STANDARD SIZE (IP67)				
MALE CONN. FEMALE (2+3)PIN(10+5)A LOCK TYPE				
DWN	Yang	PART NO.2CT93030-W05815H		
CHKD	Vicky	SCALE 2:1	UNIT: mm	
APVD	Horlen	SIZE: A3	SHEET: 1 OF 1	REV:A
CUSTOMER COPY				

DECIMALS:	ANGLES:
X :±0.5	X :±2
X.X :±0.3	X.X :±1°
X.XX :±0.2	