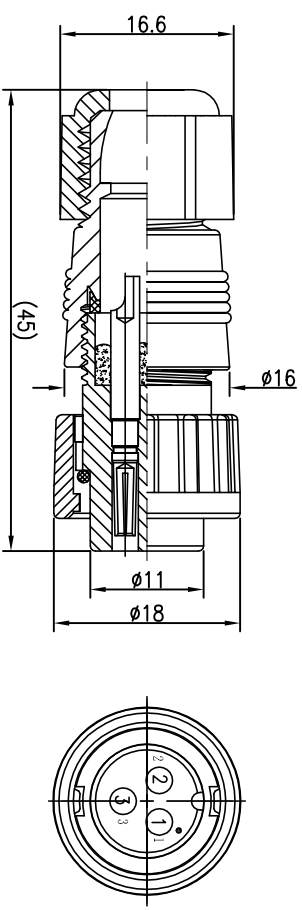
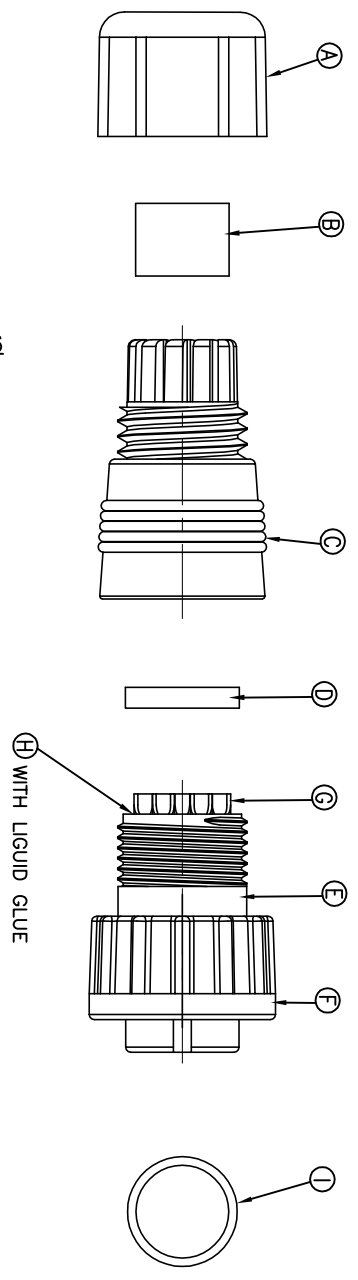


REV.	ECN NO.	OR DESCRIPTION	REVISED	DATE
A	PDR NO.:	S100105-5B	Harlen	2010.03.23
B	ECN NO.:	S130725	YF	2014.08.11



- NOTES:
1. WATERPROOF RATE: IP67(WHEN PROPERLY MATED)  
IP67: IMMERSED IN 1M WATER FOR 30 MINUTES
  2. SEAL FOR CABLE OD:  $\phi 5.0\text{mm} \sim \phi 6.5\text{mm}$
  3. SPECIFICATIONS SEE "CIRCULAR SERIES SPECIFICATIONS".
  4. TO CONFORM TO SINGATRON HAZARDOUS SUBSTANCE FREE SPEC.
  5. GREEN PRODUCT IDENTIFICATION LABEL ON PACKAGING: GR. PASS

I	O-RING	1	EPDM	BLACK
H	LIQUID GLUE	1	N/A	BLACK
G	FEMALE PIN	3	Phosphor Bronze	6u" GOLD PLATING OVER NICKEL PLATING
F	LOCK NUT	1	NYLON+GF	BLACK
E	BODY	1	NYLON+GF	BLACK
D	GASKET	1	SILICONE	BLACK
C	CLAMP RING	1	NYLON+GF	BLACK
B	SEAL	1	EPDM	BLACK
A	SEALING NUT	1	PC	BLACK
NO	DESCRIPTION	QTY	MATERIAL	PLATING & COLOR
UNLESS OTHERWISE SPECIFIED TOLERANCES				
Singatron Enterprise Co., Ltd. 信亨企業股份有限公司				
TITLE: CIRCULAR STANDARD SIZE (IP67) FEMALE CONN. FEMALE 3PIN(TO4) ASSEMBLY TYPE				
DWN	YF	PART NO.:	2CT9032-W03402	
CHKD	Harlen	SCALE:	2:1	UNIT: mm
APVD	Steve	SIZE:	A3	SHEET: 1 OF 1
REVISION: B				

CUSTOMER COPY