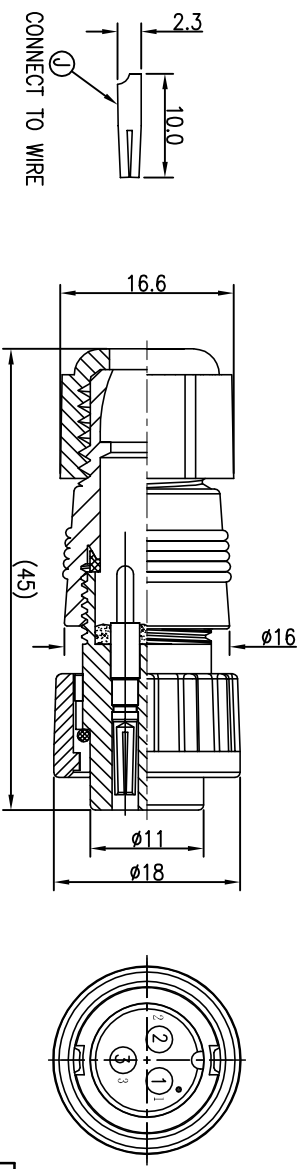
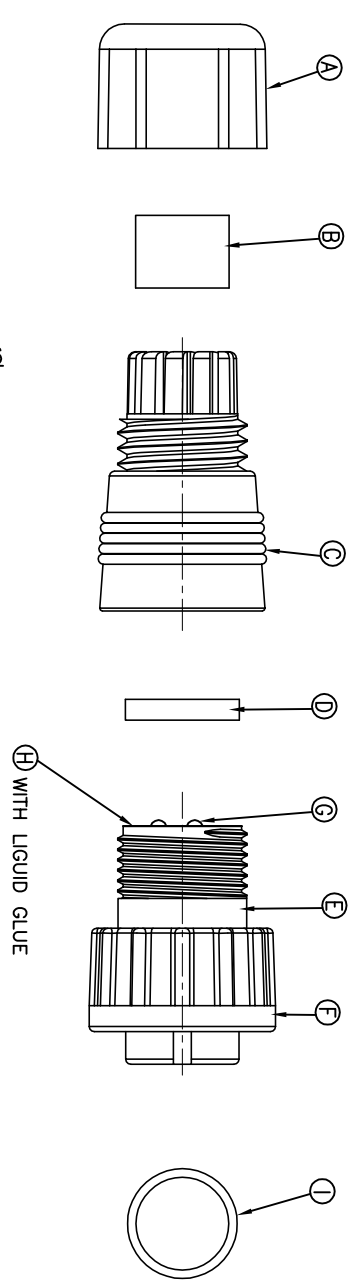


REV.	ECN NO.	OR DESCRIPTION	REVISED	DATE
A	PDR NO:S100422-2A	Harden		2010.04.21
B	ECN NO:S130725	YF		2014.08.11



- NOTES:
1. WATERPROOF RATE: IP67(WHEN PROPERLY MATED)
IP67: IMMERSED IN 1M WATER FOR 30 MINUTES
 2. SEAL FOR CABLE OD:φ5.0mm~φ6.5mm
 3. SPECIFICATIONS SEE "CIRCULAR SERIES SPECIFICATIONS".
 4. TO CONFORM TO SINGATRON HAZARDOUS SUBSTANCE FREE SPEC.
 5. GREEN PRODUCT IDENTIFICATION LABEL ON PACKAGING: [C.A. PASS]

J	FEMALE PIN	3	Phosphor Bronze	1u" GOLD PLATING OVER NICKEL PLATING
I	O-RING	1	EPDM	BLACK
H	LIQUID GLUE	1	N/A	BLACK
G	FEMALE PIN	3	Phosphor Bronze	1u" GOLD PLATING OVER NICKEL PLATING
F	LOCK NUT	1	NYLON+GF	BLACK
E	BODY	1	NYLON+GF	BLACK
D	GASKET	1	SILICONE	BLACK
C	CLAMP RING	1	NYLON+GF	BLACK
B	SEAL	1	EPDM	BLACK
A	SEALING NUT	1	PC9330	BLACK
NO	DESCRIPTION	QTY	MATERIAL	PLATING & COLOR
UNLESS OTHERWISE SPECIFIED TOLERANCES				
Singatron Enterprise Co., Ltd. 信亨企業股份有限公司				
TITLE: CIRCULAR STANDARD SIZE (IP67) FEMALE CONN. FEMALE 3PIN(10A) ASSEMBLY TYPE				
DWG YF PART NO.2CT93032-W03403				
CHKD Harden SCALE 2:1 UNIT: mm				
APVD Steve SIZE: A3 SHEET: 1 OF 1 REV: B				
CUSTOMER COPY				