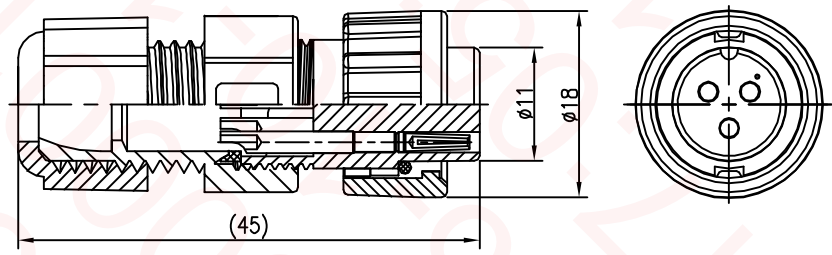
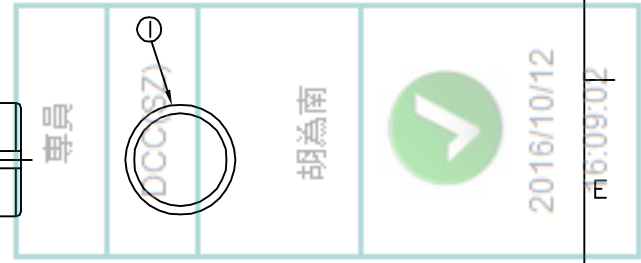
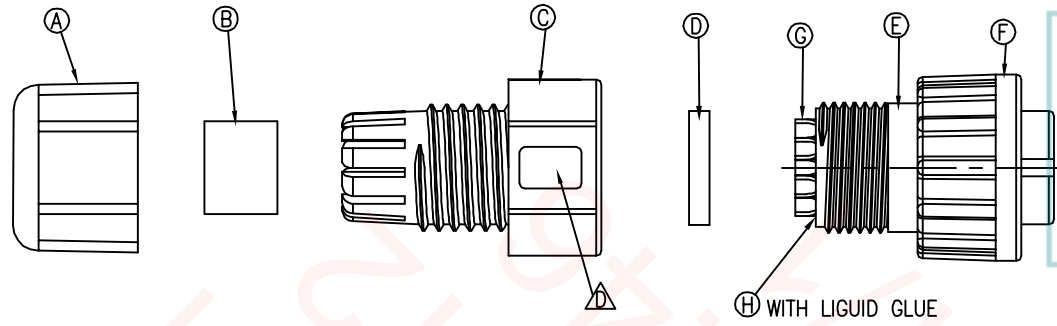


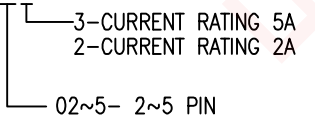
E	ECN NO.:S161010-C	JF	2016.10.11	REV.	ECN NO OR DESCRIPTION	REVISED	DATE
A	PDR NO.T091106-3B~3H	HARLEN	2009.11.13	B	ECN NO.S120534	Shawn	2012.05.10
C	ECN NO.S130725	YF	2014.08.11	D	ECN NO.:S141261	LIN	2015.04.07



C	2CT3032-W02300		5A	22AWG~24AWG *4C
B	2CT3032-W03300		5A	22AWG~24AWG *5C
	2CT3032-W04200		2A	24AWG~26AWG *2C
A	2CT3032-W05200		2A	24AWG~26AWG *2C
	P/N:	Pin Assignments Front View	Current Rating	Recommended Cable AWG

NOTES:

1. WATERPROOF RATE: IP67
IP67: IMMERSED IN 1M WATER FOR 30 MINUTES
2. SEAL1 FOR CABLE OD:φ4.0mm~φ6.5mm
3. SPECIFICATIONS:SEE "CIRCULAR SERIES SPECIFICATIONS".
4. TO CONFORM TO SINGATRON HAZARDOUS SUBSTANCE FREE SPEC.
5. GREEN PRODUCT IDENTIFICATION LABEL ON PACKAGING: **G.P. PASS**
6. ORDER INFORMATION:
2CT3032-WXXX00



NO	DESCRIPTION	QTY	MATERIAL	PLATING & COLOR
I	O-RING	1	EPDM	BLACK
H	LIQUID GLUE	1	N/A	BLACK
G	FEMALE PIN	*	Phosphor Bronze C5441	6u" GOLD PLATING OVER NICKEL PLATING
F	LOCK NUT	1	NYLON+33%GF	BLACK
E	BODY	1	NYLON+33%GF	BLACK
D	GASKET	1	SILICONE	BLACK
C	CLAMP RING	1	PC	BLACK
B	SEAL	1	EPDM	BLACK
A	SEALING NUT	1	PC	BLACK

UNLESS OTHERWISE SPECIFIED TOLERANCES

Singatron Enterprise Co., Ltd.
信音企業股份有限公司

DECIMALS: ANGLES:
X :±0.5 X :±2'
X.X :±0.3 X.X :±1'
X.XX :±0.2

TITLE	CIRCULAR STANDARD SIZE (IP67) FEMALE CONN. FEMALE (2~5)PIN ASSEMBLY TYPE		
DWN	JF	PART NO.2CT3032-W0XX00	
CHKD	Yang	SCALE 2:1	UNIT: mm
APVD	Harlen	SIZE: A3	SHEET:1 OF 1 REV: E

CUSTOMER COPY