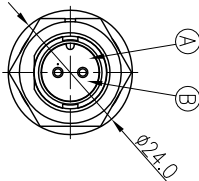
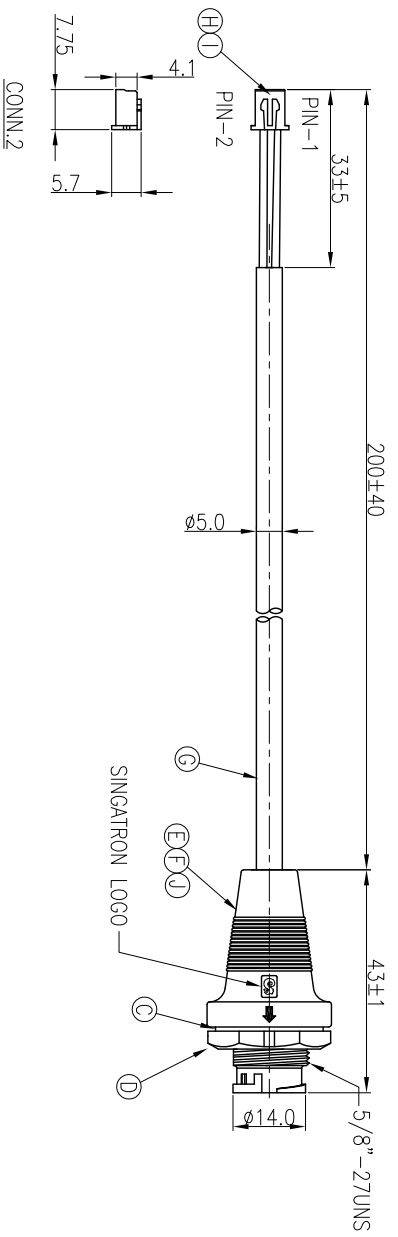


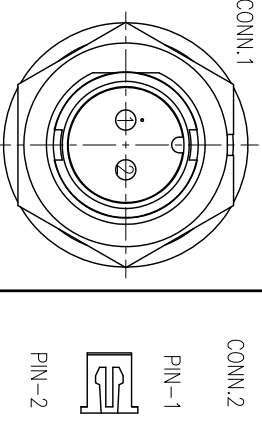
REV.	ECN NO OR DESCRIPTION	REVISED	DATE
A	PDR NO.:S141216-1A	Yang	2015.01.21



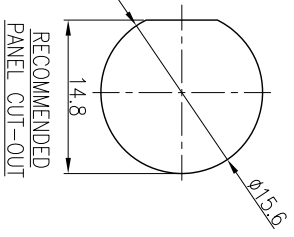
CONN.1  
WATERPROOF RATE: IP67

- NOTES:
1. WATERPROOF RATE: IP67
  2. CURRENT RATING: 5A
  3. SPECIFICATIONS:SEE "CIRCULAR SERIES SPECIFICATIONS".
  4. TO CONFORM TO SINGATRON HAZARDOUS SUBSTANCE FREE SPEC.
  5. GREEN PRODUCT IDENTIFICATION LABEL ON PACKAGING: **g.p. Pass**
  6. FOR PANEL THICKNESS MAX 2.5mm

2	RED	2
1	BLACK	1
CONN.1	WIRE COLOR	CONN.2
	PIN OUT	



Pin Assignments  
Front View



RECOMMENDED  
PANEL CUT-OUT

J	TUBE	2	125C 300V	BLACK
I	TERMINAL	2	PHOSPHOR BRONZE	TIN PLATING
H	HOUSING	1	NYLON	WHITE
G	CABLE	1	UL2464 22AWG*2C+AL +D+B UV RESISTANT OD=Ø5.0	BLACK(PVC JACKET)
F	OVER MOLD	1	TPU	BLACK
E	INNER MOLD	1	PVC	BLACK
D	PANEL NUT	1	NYLON+GF	BLACK
C	GASKET	1	EPDM	BLACK
B	MALE PIN	2	BRASS	GOLD PLATING OVER NICKEL PLATING
A	BODY	1	NYLON+GF	BLACK
NO	DESCRIPTION	QTY	MATERIAL	PLATING & COLOR

UNLESS OTHERWISE SPECIFIED TOLERANCES

Singatron Enterprise Co., Ltd.  
信善企業股份有限公司

TITLE: CIRCULAR STANDARD SIZE (IP67)  
MALE CONN. MALE PIN 2PIN(5A) LOCK TYPE

DWN: Yang PART NO.2CT3041-W02302H  
CHKD: Harlen SCALE 1:1 UNIT: mm  
APVD: Steve SIZE: A2 SHEET: 1 OF 1 REV:A

CUSTOMER COPY