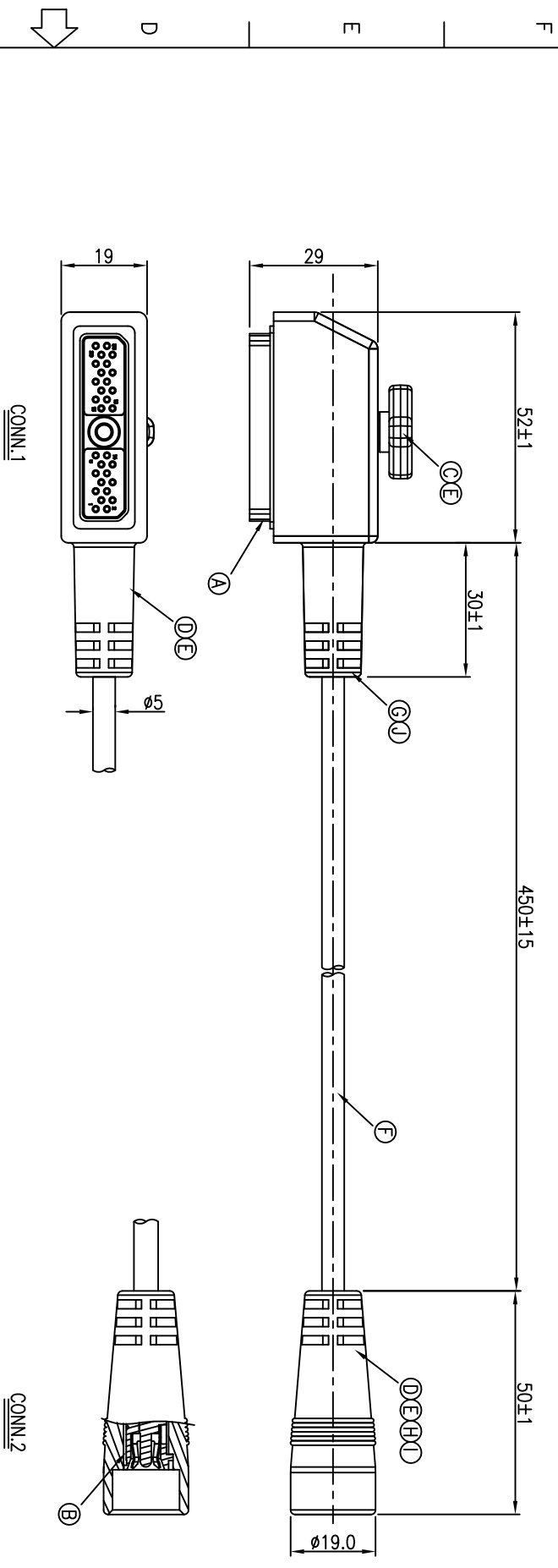
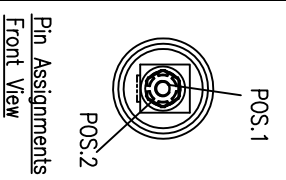
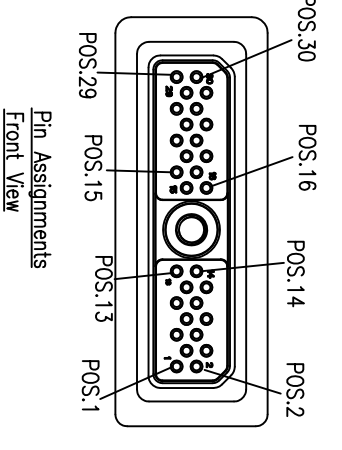


REV.	ECN NO.	OR DESCRIPTION	REVISED	DATE
A	PDR NO:T110916-3A	Horlen	2012.2.3	
B	ECN NO: S120536	Horlen	12.12.20	



- SPECIFICATIONS:
- ELECTRICAL CHARACTERISTICS:  
1-1. RATING: 1.8A
  - TO CONFORM TO SINGATRON HAZARDOUS SUBSTANCE FREE SPEC.
  - GREEN PRODUCT IDENTIFICATION LABEL ON PACKAGING: **RoHS**



Pin No.	Pin Description	Wire Color	CONN.1	CONN.2
25	Sense pin	BLUE		
27	Ground	PURPLE		
14	Ground pins	GREEN		2
8		YELLOW		
3		RED		
4	Power in	ORANGE		1
2		BROWN		
1		BLACK		
CONN.1		WIRE COLOR	CONN.2	

Item	Description	Material	Color	Quantity
J	Copper Foil Tape	50um W25	YELLOW	1
I	UV		WHITE	1
H	SHRINK TUBE	∅3.0*10mm	BLACK	2
G	SHRINK TUBE	∅2.0*10mm	BLACK	7
F	CABLE	UL2464 28#*8C+AL	BLACK	1
E	OVER MOLDING	PVC	BLACK	3
D	INNER MOLDING	LD-PE	NATURAL	2
C	SCREW	FAST CUTTING STEEL	BLACK(PVC)	1
B	DC JACK	2DC-0233-B17	BLACK	1
A	CONN.	POGO PIN 30P	N/A	1
NO	DESCRIPTION	MATERIAL	PLATING & COLOR	QTY

UNLESS OTHERWISE SPECIFIED TOLERANCES

DECIMALS: ANGLES: X :±2' X.X :±0.3 X.X.X :±1' X.XX :±0.2

Singatron Enterprise Co., Ltd.  
信達企業股份有限公司

TITLE	DWN	CHKD	APVD
BATTERY CONNECTOR TO DC JACK CABLE	Horlen	James	Steve
PART NO: 2CT3100-W00114H		SCALE 1:1	SIZE: A3
		UNIT: mm	SHEET: 1 OF 1
			REV: B

CUSTOMER COPY