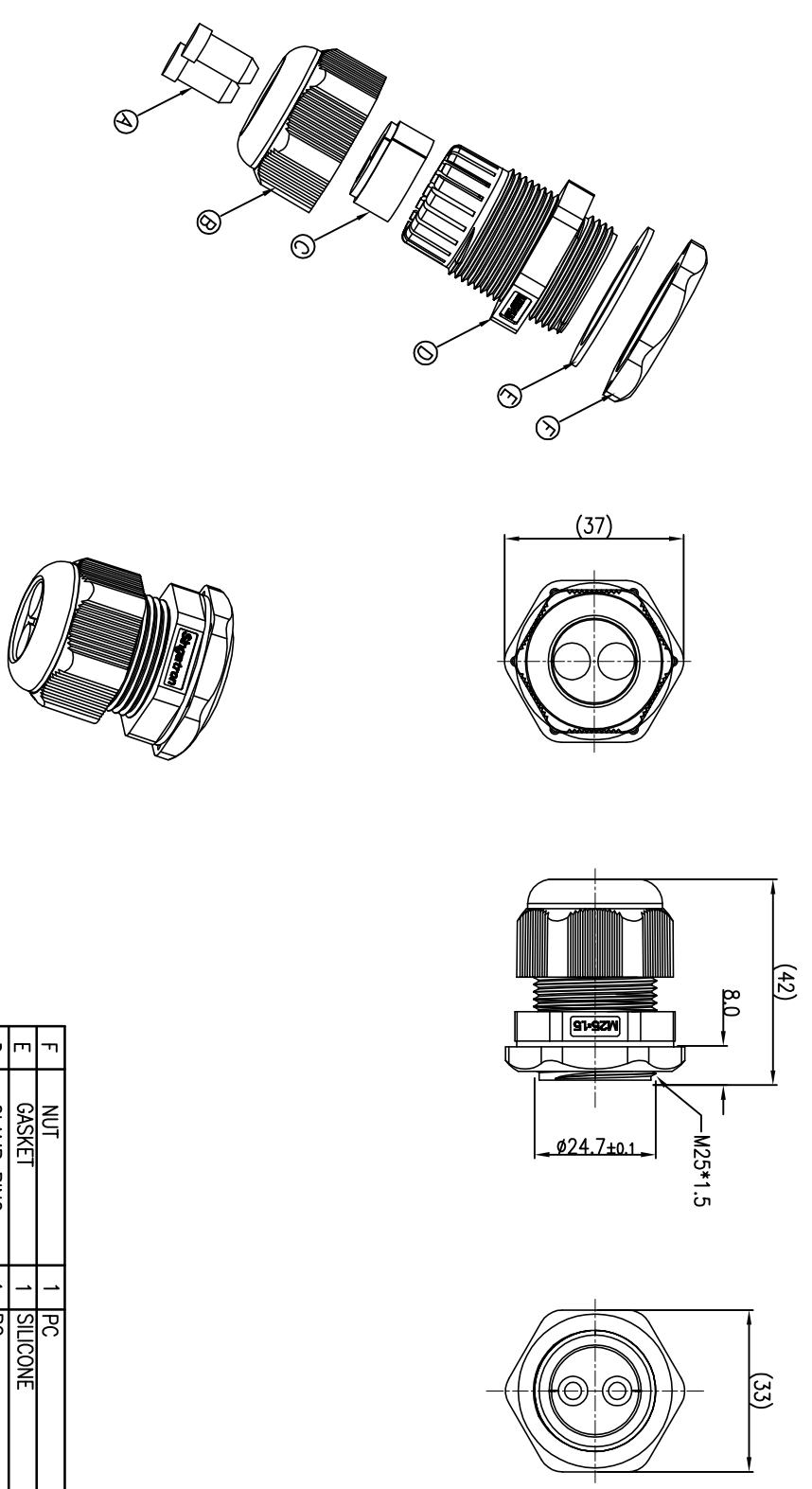


REV.	ECN NO.	OR DESCRIPTION	REVISED	DATE
A	PDR NO.:	S130329-1A	LULY	2013.05.09
B	ECN NO.:	S130725	YF	2014.08.13



NOTES:

1. WATERPROOF RATE: IP68(WHEN PROPERLY MATED)
IP68: IMMersed IN 1M WATER FOR 24 HOURS
2. GENERAL FLASH:0.05mm max
3. Cable Range: 2*($\phi 3.0\text{mm} \sim \phi 6.0\text{mm}$)
4. TO CONFORM TO THE SINGATRON HAZARDOUS SUBSTANCE FREE SPEC.
5. GREEN PRODUCT IDENTIFICATION LABEL ON PACKAGING: GR. PASS

NO	DESCRIPTION	QTY	MATERIAL	PLATING & COLOR
F	NUT	1	PC	BLACK
E	GASKET	1	SILICONE	BLACK
D	CLAMP RING	1	PC	BLACK
C	CABLE SEAL	1	SILICONE	BLACK
B	SEALING NUT	1	PC	BLACK
A	SEAL	2	SILICONE	BLACK

UNLESS OTHERWISE SPECIFIED TOLERANCES

DECIMALS:	ANGLES:
X :±0.5	X :±2°
X.X :±0.3	X.X :±1'
X.XX :±0.2	

TITLE	M25*1.5 CABLE GLAND(BLACK)		
DWN	YF	PART NO.:	2CT3100-W00182H
CHKD	Harlen	SCALE	1:1 UNIT: mm
APVD	Steve	SIZE: A3	SHEET: 1 OF 1 REV: B

CUSTOMER COPY

Singatron Enterprise Co., Ltd.
信晉企業股份有限公司

