

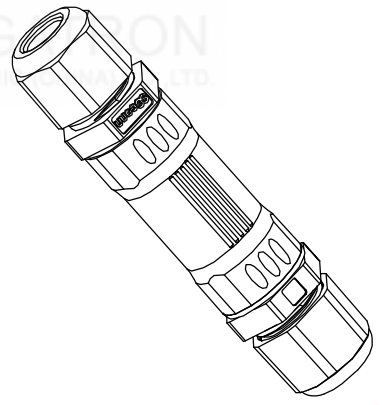
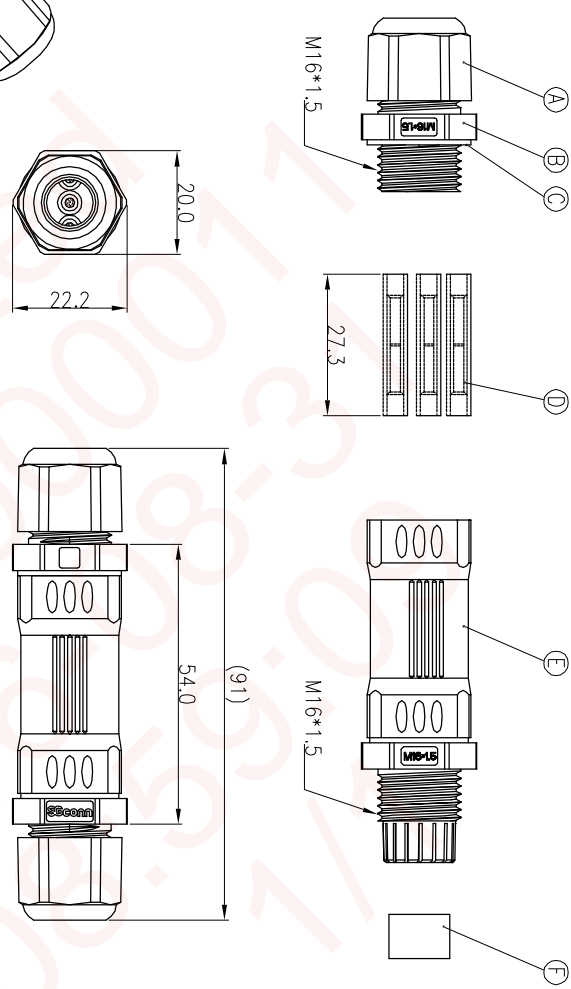
REV.	ECN NO.	OR DESCRIPTION	REVISED	DATE
A	PDR NO.:S131205-4A	Horlen	Horlen	2014.12.31
B	PDR NO.:S160851-R	Horlen	Horlen	2016.8.24

DCC(SZ)


胡為南



2016/08/29



NOTES:

1. WATERPROOF RATE: IP67
2. CABLE RANGE: $\phi 7.0 \sim \phi 10.0$ mm 16~22AWG
3. TO CONFORM TO THE SINGATRON HAZARDOUS SUBSTANCE FREE SPEC.
4. GREEN PRODUCT IDENTIFICATION LABEL ON PACKAGING: 

NO	DESCRIPTION	QTY	MATERIAL	PLATING & COLOR
F	SEAL	2	EPDM	BLACK
E	CLAMP RING	1	PA66	BLACK
D	TERMINAL	3	NYLON+COPPER ALLOY (Reference KST BNYT1)	RED
C	GASKET	1	EPDM	BLACK
B	CLAMP RING	1	PC	BLACK
A	SEALING NUT	2	PA66	BLACK
NO	DESCRIPTION	QTY <td>MATERIAL</td> <td>PLATING & COLOR</td>	MATERIAL	PLATING & COLOR

UNLESS OTHERWISE SPECIFIED TOLERANCES

DECIMALS:	ANGLES:	TITLE	CABLE JOINER
X : ±0.5	X : ±2°	DWN	Horlen
X.X : ±0.3	X.X : ±1°	CHKD	JF
X.XX : ±0.2		APVD	STEVE

SIZE	SCALE	UNIT	SHEET	REV
A3	1:1	mm	1 OF 1	B

CUSTOMER COPY

 Singatron Enterprise Co., Ltd.
信譽企業股份有限公司

