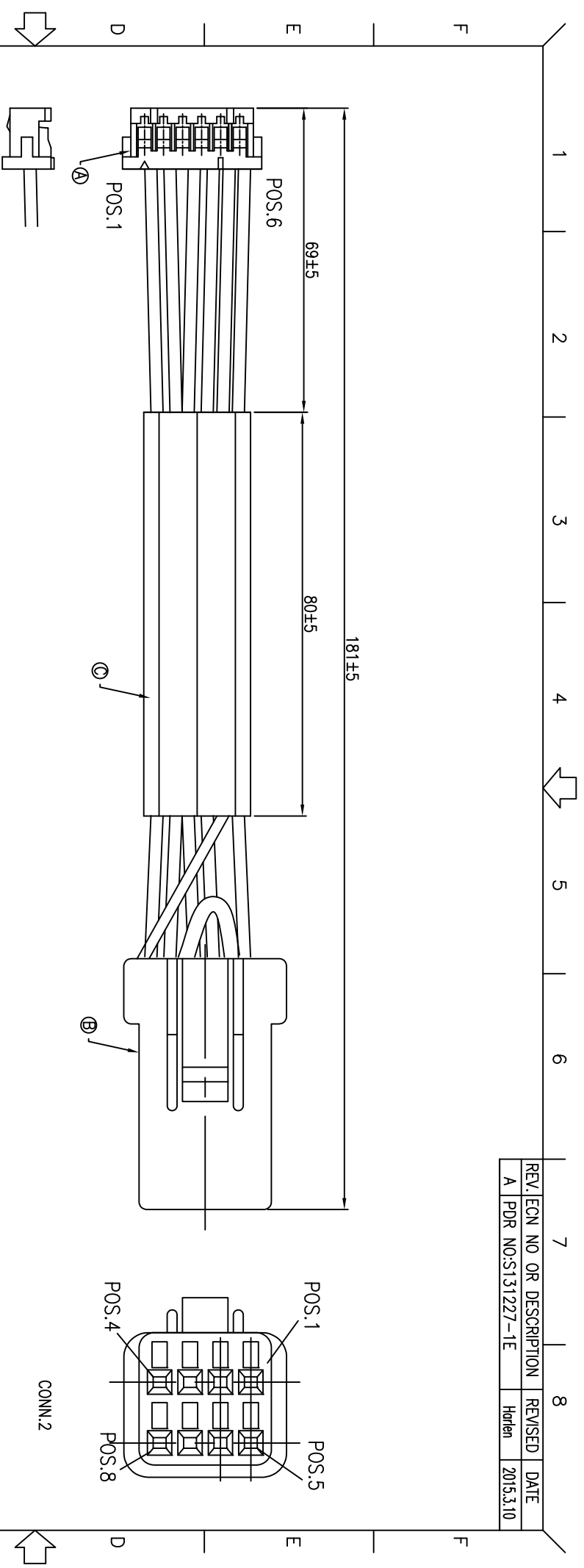


REV.	ECN NO. OR DESCRIPTION	REVISED	DATE
A	PDR NO: S131227-1E	Harlen	2015.3.10



1	2	3	4	5	6
1	WHITE	8			
2	BLACK	7			
3	RED	6			
4	GREEN	5			
5	YELLOW	4			
JUMPER		3			
JUMPER		2			
6	BLUE	1			
CONN.1 WIRE COLOR		CONN.2			

NOTES:

- TEST CONDITIONS:
 - 1-1. CONDUCT RESISTANCE: 3ohmMax.
 - 1-2. INSULATION RESISTANCE: 10MohmMin. BY 500 VDC
- TO CONFORM TO THE SINGATRON HAZARDOUS SUBSTANCE FREE SPEC.
- GREEN PRODUCT IDENTIFICATION LABEL ON PACKAGING:
- ALL PRODUCTS MEET THE ROHS COMPLIANT.
- REFER TO FARADAY PART NO.303-0019-D.

C	B	A	NO	DESCRIPTION	QTY	MATERIAL	PLATING & COLOR
C	CABLE	1	26#*6C STRANDED OD2.4*6.8 FLAT	1	26#*6C STRANDED OD2.4*6.8 FLAT	GREY(PVC JACKET)	
B	CONNECTOR	8	SWPR-0011T-P025	8	SWPR-0011T-P025	TINNED	
A	CONNECTOR	1	1ST 08R-JWPF-VSLE-D	1	1ST 08R-JWPF-VSLE-D	WHITE	
		6	DF13-2630-SCF	6	DF13-2630-SCF	TINNED	
		1	HIROSE DF13-6S-1.25C	1	HIROSE DF13-6S-1.25C	BEIGE	

UNLESS OTHERWISE SPECIFIED TOLERANCES

DECIMALS: ANGLES: TITLE: WIRE HARNESS

DWN : ±0.5 X : ±2' CHKD : ±0.3 X.X : ±1' APVD : ±0.2 X.XX : ±0.2

Singatron Enterprise Co., Ltd.
信譽企業股份有限公司

PART NO. 2CT3100-W00248H
SCALE 4:1 UNIT: mm

STEVE SIZE: A3 SHEET: 1 OF 1 REV: A
CUSTOMER COPY