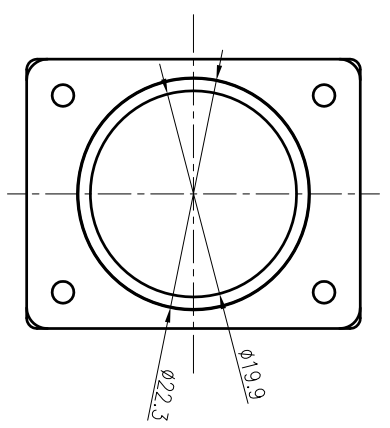
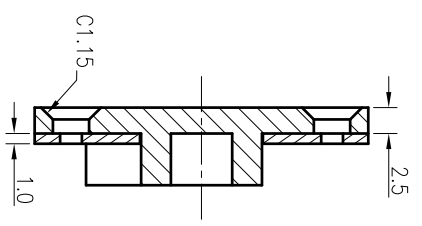
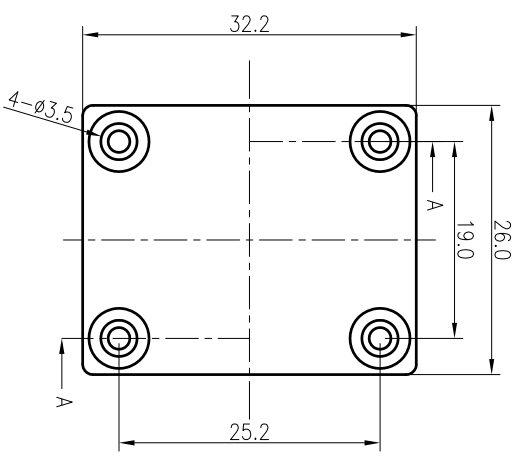
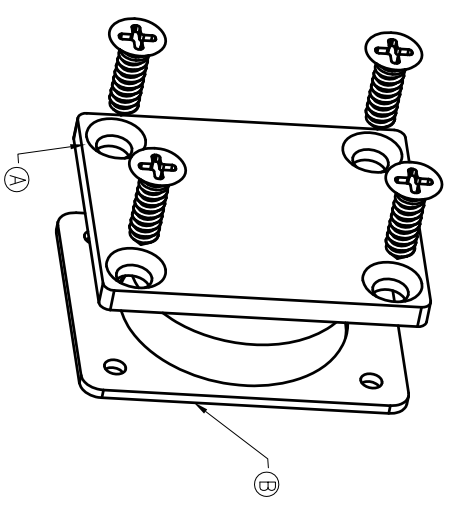


REV.	ECN NO.	OR DESCRIPTION	REVISED	DATE
A	PDR:1141020-1A		Yang-Hu	2015.03.06



NO	DESCRIPTION	QTY	MATERIAL	PLATING & COLOR
C	SCREW	4	Stainless Steel	BLACK NICKET
B	GASKET	1	SILICONE ADHESIVE	BLACK
A	BOARD	1	NYLON	BLACK

UNLESS OTHERWISE SPECIFIED TOLERANCES

Singatron Enterprise Co., Ltd.
信譽企業股份有限公司

DECIMALS:		ANGLES:	
X	:±0.5	X	:±2°
X.X	:±0.3	X.X	:±1°
X.XX	:±0.2		

TITLE	PLASTIC BOARD WITH GASKET		
DMW	Yang-Hu	PART NO. 2CT3100-W00341H	
CHKD	JF	SCALE 2:1	UNIT: mm
APVD	Harlen	SIZE: A3	SHEET: 1 OF 1

CUSTOMER COPY

- NOTES:
1. TO CONFORM TO SINGATRON HAZARDOUS SUBSTANCE FREE SPEC.
 2. GREEN PRODUCT IDENTIFICATION LABEL ON PACKAGING:
 3. 螺絲以附件形式包裝出貨

