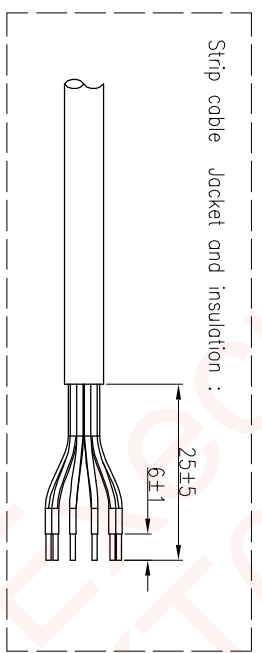
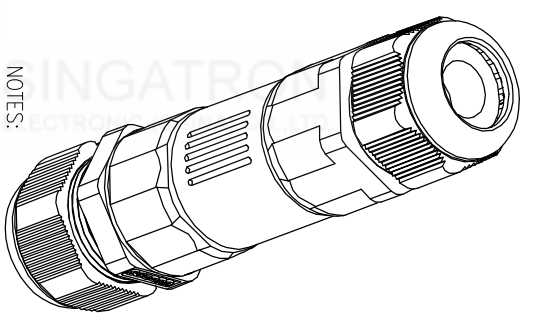
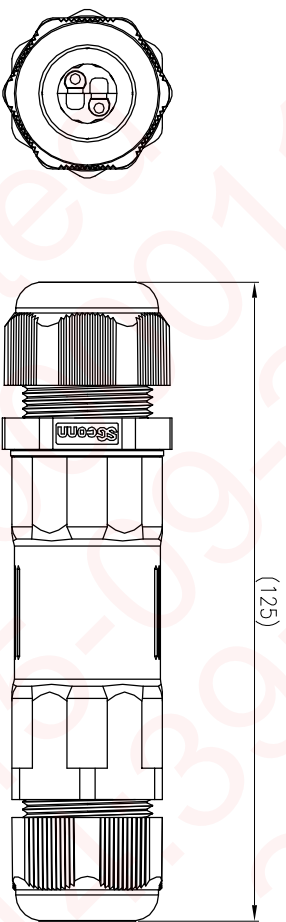
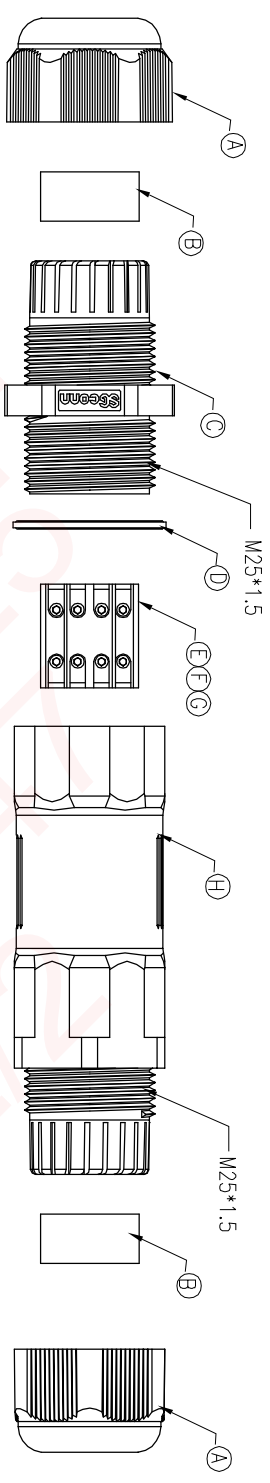


REV	ECN NO	OR DESCRIPTION	REVISED	DATE
A	PDR NO.T141006-1A	Yang	2015.09.18	



NOTES:

1. WATERPROOF RATE: IP67
2. Cable Range: 6.5mm~ø11.2mm
3. TO CONFORM TO THE SINGATRON HAZARDOUS SUBSTANCE FREE SPEC.
4. GREEN PRODUCT IDENTIFICATION LABEL ON PACKAGING: **GREEN PARTS**

H	CLAMP RING	1	PC	BLACK
G	BARRIER	2	PA66	BLACK
F	TERMINAL	10	BRASS	Ni PLATING
E	SCREW	20	SUS M2.5*0.45	N/A
D	GASKET	1	SILICONE	BLACK
C	CLAMP RING	1	PC	BLACK
B	SEAL	2	SILICONE	BLACK
A	SEALING NUT	2	PC	BLACK
NO	DESCRIPTION	QTY	MATERIAL	PLATING & COLOR
UNLESS OTHERWISE SPECIFIED TOLERANCES				
Singatron Enterprise Co., Ltd. 信亨企業股份有限公司				

DECIMALS:		ANGLES:	
X	:±0.5	X	:±2°
X.X	:±0.3	X.X	:±1'
X.XX	:±0.2		
TITLE		CABLE JOINER	
DWN	Yang	PART NO.	2CT93100-W00342H
CHKD	JF	SCALE	1:1
APVD	Horlen	SIZE	A3
		SHEET	1 OF 1
		REV	A

CUSTOMER COPY