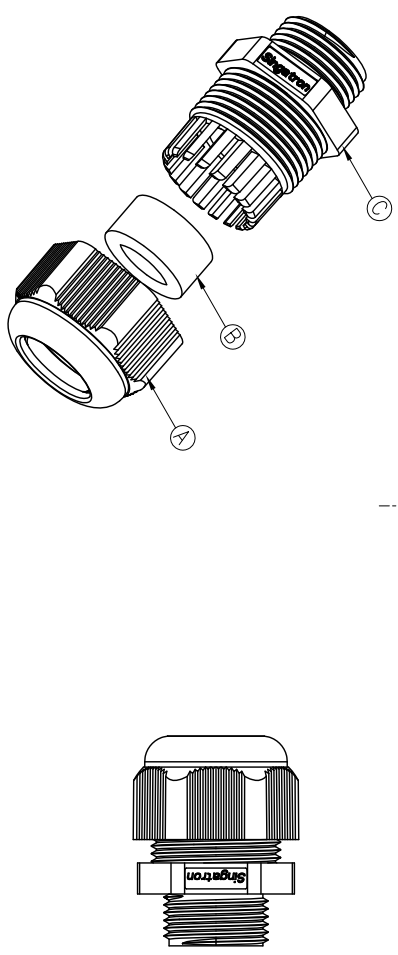
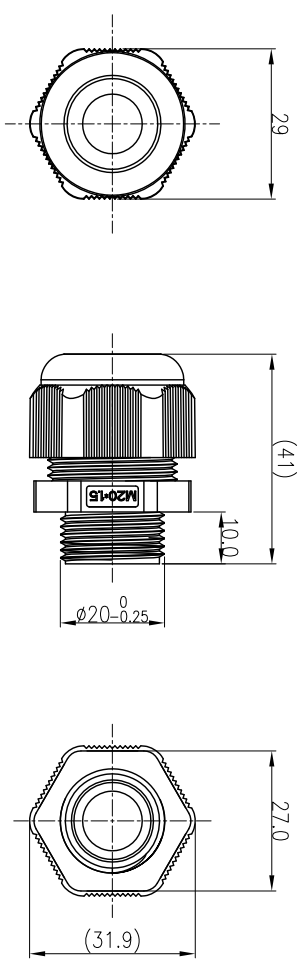


REV	EGN NO	OR DESCRIPTION	REVISED	DATE
A	PDR NO:S141117-7A		Yong-Hu	2015.01.13



- NOTES:
1. WATERPROOF RATE: IP68(WHEN PROPERLY MATED)  
IP68: IMMERSED IN 1M WATER FOR 24 HOURS.
  2. TEMPERATURE RANGE:-40°C TO +100°C
  3. SEAL FOR CABLE OD:φ5.5mm~φ11.2mm
  4. TO CONFORM TO THE SINGATRON HAZARDOUS SUBSTANCE FREE SPEC.
  5. GREEN PRODUCT IDENTIFICATION LABEL ON PACKAGING: **GR PASS**

C	CLAMP RING	1	PC	BLACK
B	SEAL	1	SILICONE	BLACK
A	SEALING NUT	1	PC	BLACK
NO	DESCRIPTION	QTY	MATERIAL	PLATING & COLOR

UNLESS OTHERWISE SPECIFIED TOLERANCES

Singatron Enterprise Co., Ltd.  
信譽企業股份有限公司

DECIMALS:	X : ±0.5	X : ±2'
X.X	: ±0.3	X.X : ±1'
X.XX	: ±0.2	
TITLE	M20*1.5 CABLE GLAND(φ5.5~φ11.2)(BLACK)	
DWN	Yang-Hu	PART NO.2CT3100-W00343H
CHKD	Jf	SCALE 1:1 UNIT: mm
APVD	Horlén	SIZE: A3 SHEET:1 OF 1 REV:A

CUSTOMER COPY