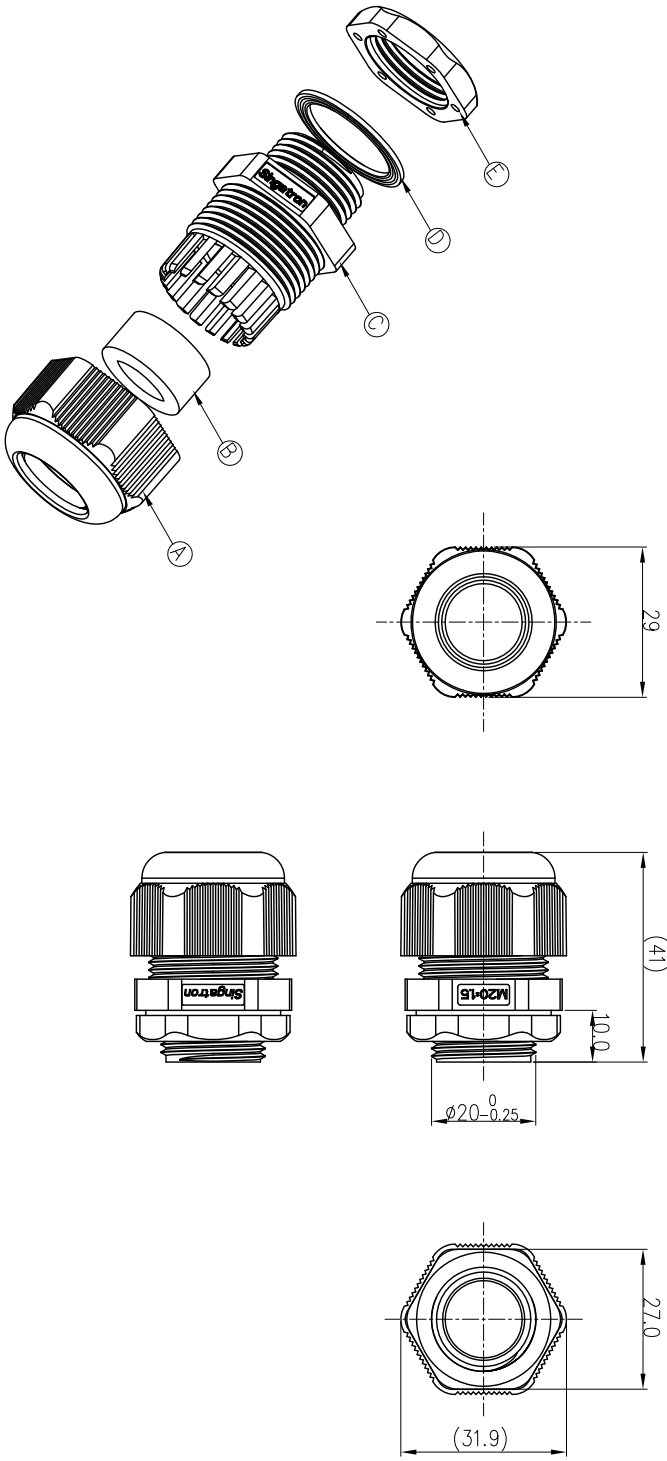
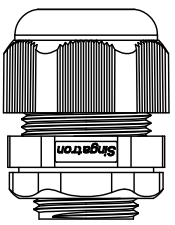


REV.	ECN NO OR DESCRIPTION	REVISED	DATE
A	PDR NO:SI41117-7B	Yang-Hu	2014.12.22



- NOTES:
1. WATERPROOF RATE: IP68(WHEN PROPERLY MATED)  
IP68: IMMERSED IN 1M WATER FOR 24 HOURS.
  2. TEMPERATURE RANGE: -40°C TO +100°C
  3. SEAL FOR CABLE OD:  $\phi 8\text{mm} \sim \phi 16\text{mm}$
  4. TO CONFORM TO THE SINGATRON HAZARDOUS SUBSTANCE FREE SPEC.
  5. GREEN PRODUCT IDENTIFICATION LABEL ON PACKAGING: **GREEN PASS**



E	NU T	1	PC	BLACK
D	O-RING	1	SILICONE	BLACK
C	CLAMP RING	1	PC	BLACK
B	SEAL	1	SILICONE	BLACK
A	SEALING NUT	1	PC	BLACK
NO	DESCRIPTION	QTY	MATERIAL	PLATING & COLOR

UNLESS OTHERWISE SPECIFIED TOLERANCES

DECIMALS:	ANGLES:
X : ±0.5	X : ±2°
X.X : ±0.3	X.X : ±1'
X.XX : ±0.2	

**Singatron Enterprise Co., Ltd.**  
信譽企業股份有限公司

TITLE: M20\*1.5 CABLE GLAND( $\phi 8 \sim \phi 16$ )(BLACK)

DMW	Yang-Hu	PART NO.2CT3100-W00344H
CHKD	Jf	SCALE 1:1 UNIT: mm
APVD	Horten	SIZE: A3 SHEET: 1 OF 1 REV:A

**CUSTOMER COPY**