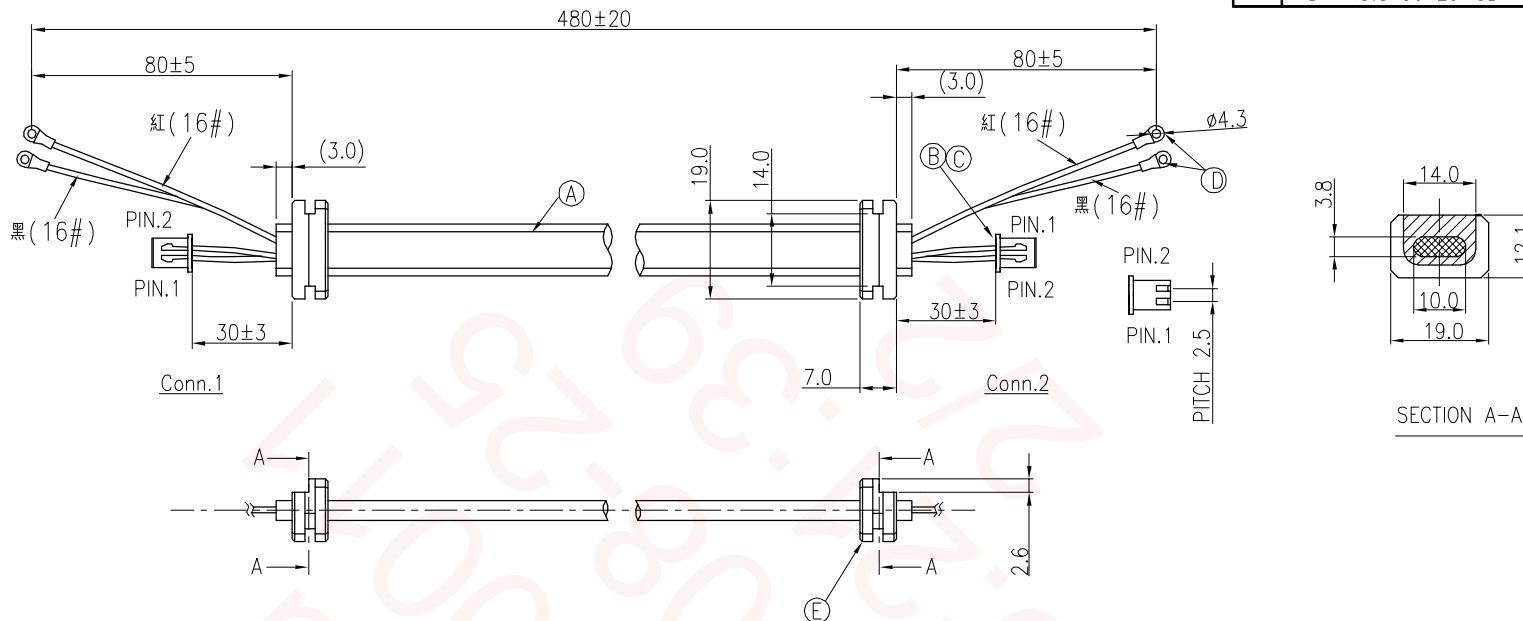


REV.	ECN NO OR DESCRIPTION	REVISED	DATE
A	PDR NO:S150129-5D	Yang	2015.08.14



KST RVS2-4	RED(16#)	KST RVS2-4
KST RVS2-4	BLACK(16#)	KST RVS2-4
2	ORANGE(26#)	2
1	BROWN(26#)	1
CONN.1	WIRE COLOR	CONN.2

PIN OUT



CONN.1 Pin Assignments

CONN.2 Pin Assignments

Front View

Top View

NOTES:

- SPECIFICATIONS:SEE "CIRCULAR SERIES SPECIFICATIONS".
- TO CONFORM TO SINGATRON HAZARDOUS SUBSTANCE FREE SPEC.
- GREEN PRODUCT IDENTIFICATION LABEL ON PACKAGING: **G.P. PASS**

E	SR	2	HYTREL	BLACK
D	TERMINAL	4	KST $\phi 4.3 \times T0.8$	TIN-PLATED
C	TERMINAL	4	BRASS	TIN-PLATED
B	HOUSING	2	NYLON	WHITE
A	CABLE	1	UL2464 16#*2C+ 26#*2C+F+T OD 3.8*10	BLACK
NO	DESCRIPTION	QTY	MATERIAL	PLATING & COLOR
UNLESS OTHERWISE SPECIFIED TOLERANCES			Singatron Enterprise Co., Ltd. 信音企業股份有限公司	
DECIMALS:		TITLE (2+2)PIN CABLE		
X :±0.5		DWN Yang PART NO.2CT3100-W00346H		
X.X :±0.3		CHKD JF SCALE 2:1 UNIT: mm		
X.XX :±0.2		APVD Harlen SIZE: A3 SHEET:1 OF 1 REV:A		
CUSTOMER COPY				