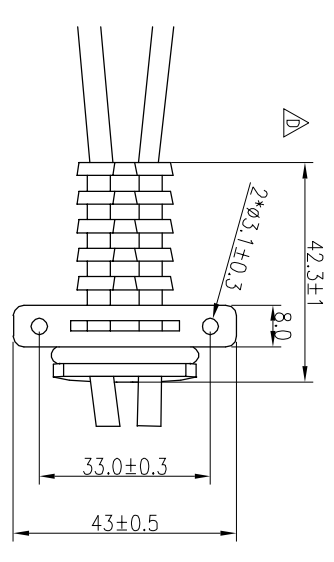
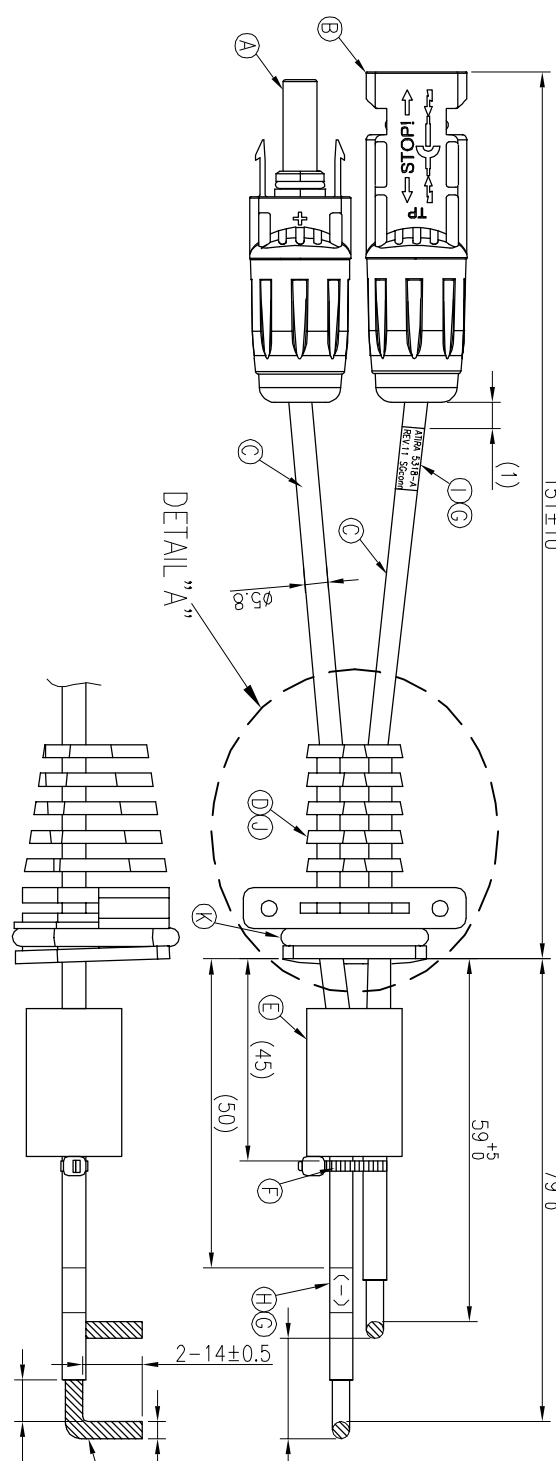
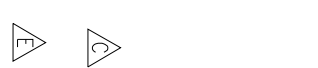


REV	ECN NO	OR DESCRIPTION	REVISED	DATE
A	PDR NO.:T170306-11A	JF		2017.04.12
B	ECN NO.:A181213-R	JF		2018.12.05
C	ECN NO.:A190103-C	Jun		2019.01.16
D	ECN NO.:S202105-C01	RZ		2021.05.10
E	ADD SR DIMENSIONS			
E	ECN NO.:S202309-C18	LEI		2023.12.04



ATIRA 5318-A
REV.11 Sgconn
LABEL DETAIL
SCALE:2/1



K	O-RING	1	SILICONE	RED	A
J	TERMINAL	6	BRASS	N/A	
I	LABEL 2	1	30*10mm	WHITE	
H	LABEL 1	1	25*8mm	WHITE	
G	TUBE	2	OD5.0	CLEAR	
F	CABLE TIE	1	TERMOPLASTIC	BLACK	
E	FERRITE CORE	1	RH17.5*28.5*11.5/ F58 RH 17.5*28.5*11.5-PW	BLACK	
D	SR	1	PVC_30P	BLACK	
C	CABLE	2	H17272-K 1*4mm	BLACK	
B	M4 MALE CONN.	1	TPBC-4 M	BLACK	
A	M4 FEMALE CONN.	1	TPBC-4 F	BLACK	
NO	DESCRIPTION	QTY	MATERIAL	PLATING & COLOR	
UNLESS OTHERWISE SPECIFIED TOLERANCES					
Suzhou Singatron Auto Electronics CO.,LTD. 苏州新格汽车电子有限公司					
TITLE SOLAR CONNECTOR CABLE ASSEMBLY					
DWN	LEI	PART NO.	2CT3100-W0418H		
CHKD	Jun	SCALE	2:1	UNIT:	mm
APVD	JF	SIZE:	A4	SHEET:	1 OF 1
REVISION: E					

NOTES:

- CURRENT RATING: 25A
- OTHER GENERAL SPEC. TO REFER CIRCULAR SERIES SPEC.
- TO CONFORM TO SINGATRON HAZARDOUS SUBSTANCE FREE SPEC.
- GREEN PRODUCT IDENTIFICATION LABEL ON PACKAGING: **GP PASS**

DETAIL "A"
SCALE 1/1