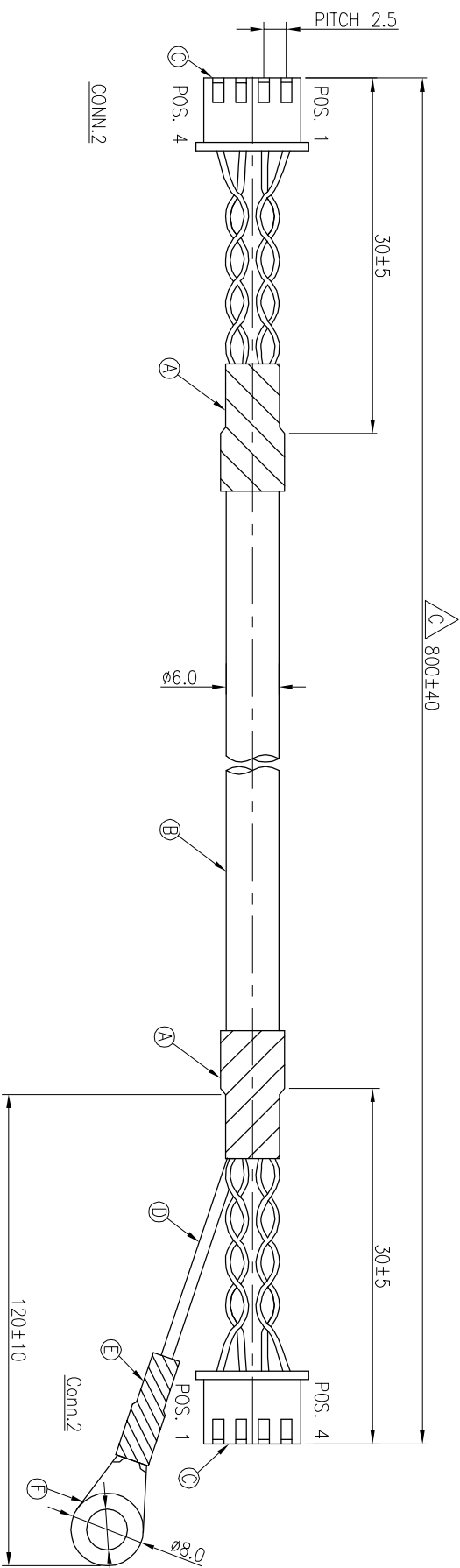
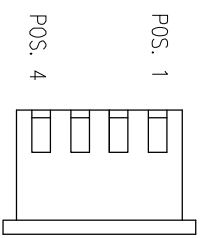


REV.	ECN NO.	OR DESCRIPTION	REVISED	DATE
A	PDR NO.:S170623-2A	Vicky	2017.06.26	
B	ECN NO.:S202103-C09	JAY	2021.03.11	
C	ECN NO.:S202309-C13	MF	2023.09.15	



客户料号:02.18.994.00

DRAIN+BRAID	YELLOW/GREEN	4	TWIST
4	BROWN/WHITE	4	TWIST
3	BROWN	3	
2	BLACK/WHITE	2	TWIST
1	BLACK	1	
CONN.1	WIRE COLOR	CONN.2	
PIN OUT			



Pin Assignments
Front View

NOTES:

- TO CONFORM TO SINGATRON HAZARDOUS SUBSTANCE FREE SPEC.
- GREEN PRODUCT IDENTIFICATION LABEL ON PACKAGING:

NO	DESCRIPTION	QTY	MATERIAL	PLATING & COLOR
A	HEAT SHRINK TUBE	2	Ø7.0 125° 300V,L=20	BLACK
B	CABLE	1	24AWG*2P+BRAID+AL+DRAIN OD=6.0mm	BLACK(PVC JACKET)
C	CONNECTOR	2	HSG:TU3001HND-04	WHITE
D	WIRE	8	TER:TU3001TP0-A	TIN-PLAIED
E	HEAT SHRINK TUBE	1	Ø4.0 125° 300V,L=15	BLACK
F	TERMINAL	1	P/N:R450532-BS-2	TIN PLATED

UNLESS OTHERWISE SPECIFIED TOLERANCES

DECIMALS: ANGLES:

X :±0.5 X :±2°
X.X :±0.3 X.X :±1°
X.XX :±0.2

TITLE	HOUSING TO HOUSING
DWN MF	PART NO.2CT3100-W00421H
CHKD JAY	SCALE 2:1 UNIT: mm
APVD JF	SIZE: A3 SHEET: 1 OF 1 REV: C

CUSTOMER COPY