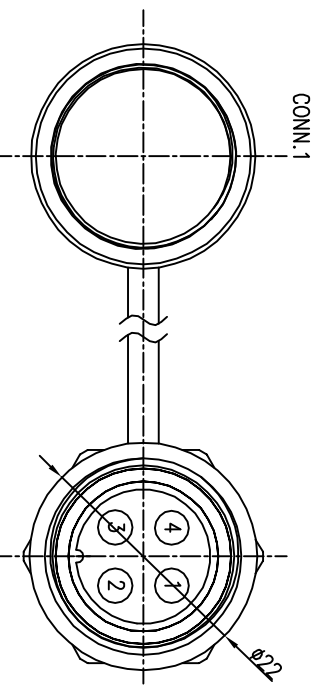
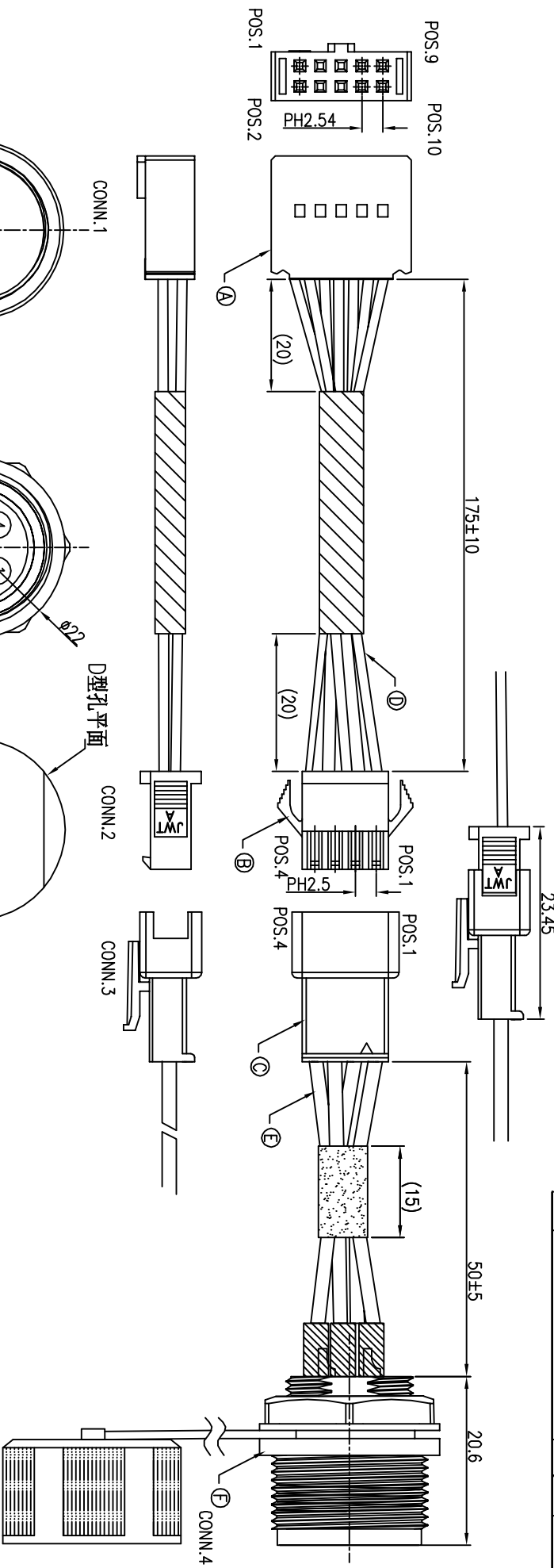


REV/ECN NO	OR DESCRIPTION	REVISED	DATE
A	PDR NO:S170712-1A	HARLEN	2017.7.17
B	ECN NO:S180223-C	Vicky	2018.03.19



CONN.1	WIRE COLOR	CONN.2	CONN.3	CONN.4
9+10	RED	1	1	RED
4+8	BLACK	2	2	BLACK
3+7	RED	3	3	YELLOW
5+6	BLACK	4	4	BROWN

NO	DESCRIPTION	QTY	MATERIAL	PLATING & COLOR
H	ACETATE CLOTH TAPE	1	W15 L20	BLACK
G	HEAT SHRINK TUBE	1	300V 125°C	BLACK
F	PANEL CONN. WITH CAP	1	P/NEC04681-1123-BF	1/2" Gold Plating Over Nickel 50u"
E	WIRE	4	UL1007 22AWG	See pin out
D	WIRE	8	UL1061 26AWG	See pin out
C	CONNECTOR	4	BRASS	Sn80u"~120u"Ni 30u"~50u"
B	CONNECTOR	4	NYLON	BLACK
A	CONNECTOR	1	BRASS	Sn80u"~120u"Ni 30u"~50u"
NO	DESCRIPTION	1	PBT	BLACK

- NOTES:
- TEST CONDITIONS:
  - 1-1. CONDUCT RESISTANCE: 30 MΩ Max.
  - 1-2. INSULATION RESISTANCE: 5MΩ MIN. BY 300 VDC
  - 1-3. HI-POT TEST 500VAC,5mA(1SEC)
  2. TO CONFORM TO SINGATRON HAZARDOUS SUBSTANCE FREE SPEC.
  3. GREEN PRODUCT IDENTIFICATION LABEL ON PACKAGING:

Singatron Enterprise Co., Ltd.  
 信譽企業股份有限公司

TITLE	WIRE HARNESS
DWN	Vicky
CHKD	JF
APVD	Steve

PART NO.2CT3100-W00428H  
 SCALE 2:1 UNIT: mm  
 SIZE: A3 SHEET:1 OF 1 REV: B  
 CUSTOMER COPY