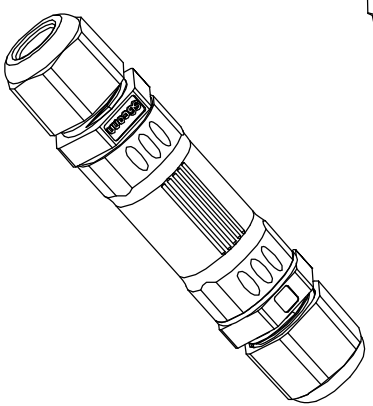
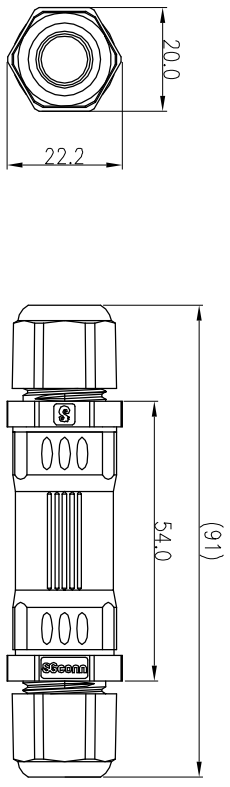
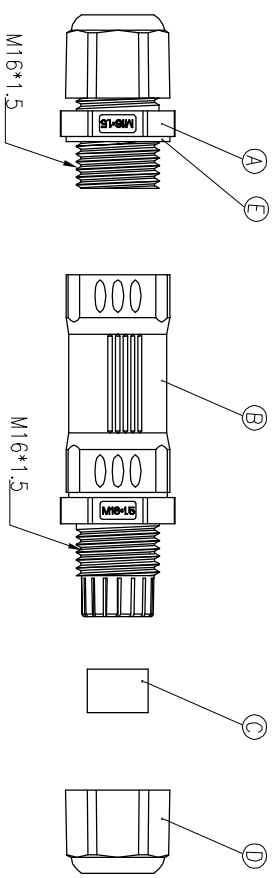


REV.	ECN NO.	OR DESCRIPTION	REVISED	DATE
A	PDR NO.:	T170925-3A	Yang	2017.10.24



- NOTES:
1. WATERPROOF RATE: IP67  
IP67: IMMersed IN 1M WATER FOR 30 MINUTES
  2. CABLE RANGE:  $\phi 4.0\text{mm} \sim \phi 6.0\text{mm}$
  3. TO CONFORM TO THE SINGATRON HAZARDOUS SUBSTANCE FREE SPEC.
  4. GREEN PRODUCT IDENTIFICATION LABEL ON PACKAGING:

E	GASKET	1	EPDM	BLACK
D	SEALING NUT	2	PA66	BLACK
C	SEAL	2	EPDM	BLACK
B	CLAMP RING	1	PA66	BLACK
A	CABLE GLAND	1	M16*1.5	BLACK
NO	DESCRIPTION	QTY	MATERIAL	PLATING & COLOR

UNLESS OTHERWISE SPECIFIED TOLERANCES

Singatron Enterprise Co., Ltd.  
信睿企業股份有限公司

DECIMALS:		ANGLES:	
X	: $\pm 0.5$	X	: $\pm 2'$
X.X	: $\pm 0.3$	X.X	: $\pm 1'$
X.XX	: $\pm 0.2$		

TITLE	CABLE JOINER		
DWN	Yang	PART NO.:	2CT3100-W00433H
CHKD	JF	SCALE:	1:1 UNIT: mm
APVD	Steve	SIZE:	A3 SHEET: 1 OF 1 REV: A

CUSTOMER COPY

