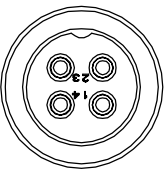
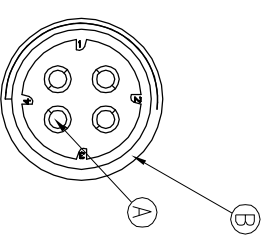
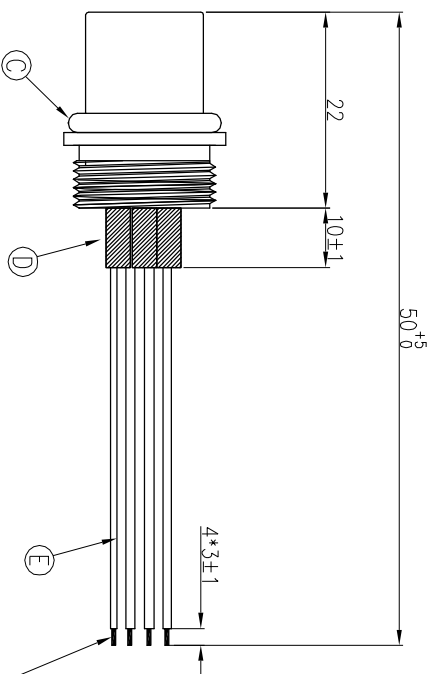


| REV/ECN NO OR DESCRIPTION | REVISED | DATE       |
|---------------------------|---------|------------|
| A PDR NO.:A190827-1A      | RZ      | 2019.10.15 |

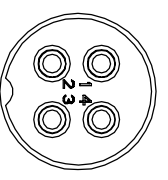


Conn.1



Stripping and Tinned\*4

|         |            |
|---------|------------|
| 4       | BLUE       |
| 3       | WHITE      |
| 2       | BLACK      |
| 1       | RED        |
| CONN.1  | WIRE COLOR |
| PIN OUT |            |



Pin Assignments  
Front View

- NOTES:
1. WATERPROOF RATING: IP67
  2. TEMPERATURE RANGE: -20°C TO +85°C
  3. SPECIFICATIONS: SEE "CIRCULAR SERIES SPECIFICATIONS".
  4. TO CONFORM TO SINGATRON HAZARDOUS SUBSTANCE FREE SPEC.
  5. GREEN PRODUCT IDENTIFICATION LABEL ON PACKAGING:

|    |                  |     |                |                  |
|----|------------------|-----|----------------|------------------|
| E  | Wire             | 4   | UL1430 24AWG   | SEE "WIRE COLOR" |
| D  | HEAT SHRINK TUBE | 4   | 125° 300V Ø2.5 | BLACK            |
| C  | O-ring           | 1   | SILICONE       | BLACK            |
| B  | BODY             | 1   | PLASTIC        | GREEN            |
| A  | PIN              | 4   | BRASS          | NA               |
| NO | DESCRIPTION      | QTY | MATERIAL       | PLATING & COLOR  |

UNLESS OTHERWISE SPECIFIED TOLERANCES

DECIMALS: ANGLES:

X : ±0.5 X : ±2°  
 X.X : ±0.3 X.X : ±1°  
 X.XX : ±0.2

Singatron Enterprise Co., Ltd.  
 信晉企業股份有限公司

TITLE: CIRCULAR SERIES FEMALE CONN. FEMALE PIN(4PIN)

DWN: RZ PART NO.: 2CT3100-W00475H

CHKD: Cerry SCALE: 1:1 UNIT: mm

APVD: William SIZE: A3 SHEET: 1 OF 1 REV: A

CUSTOMER COPY