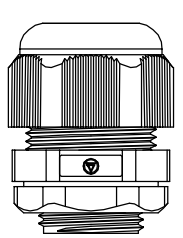
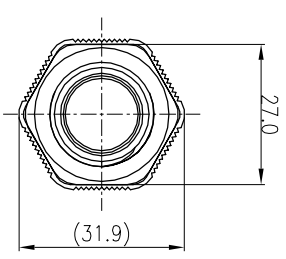
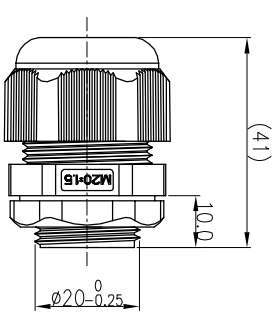
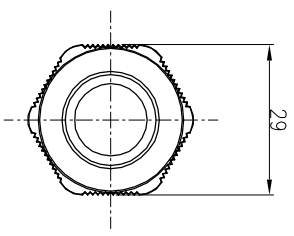
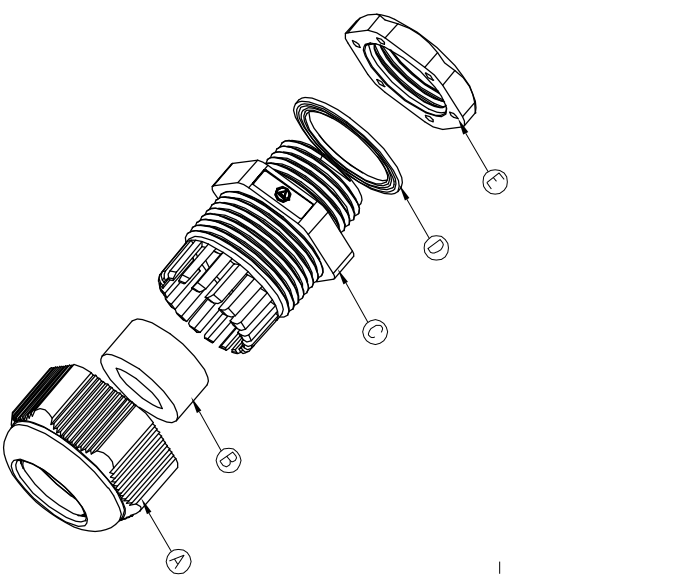


REV	ECN NO. OR DESCRIPTION	REVISED	DATE
A	PDR NO:A200309-2D	LEI	2020.06.22
B	ECN NO.:S202008-C05 A	LEI	2020.11.27



- NOTES:
1. WATERPROOF RATE: IP68(WHEN PROPERLY MATED)
  2. IP68: IMMERSED IN 1.8M WATER FOR 24 HOURS.
  3. TEMPERATURE RANGE: -40°C TO +100°C
  4. SEAL FOR CABLE OD: 5.5mm~11.2mm
  5. SEAL FOR CABLE OD: 5.5mm~11.2mm
  6. TO CONFORM TO THE SINGATRON HAZARDOUS SUBSTANCE FREE SPEC.
  7. GREEN PRODUCT IDENTIFICATION LABEL ON PACKAGING: **RoHS**

NO	DESCRIPTION	QTY	MATERIAL	PLATING & COLOR
E	NUT	1	PC	BLACK
D	O-RING	1	SILICONE	BLACK
C	CLAMP RING	1	PC	BLACK
B	SEAL	1	SILICONE	BLACK
A	SEALING NUT	1	PC	BLACK

UNLESS OTHERWISE SPECIFIED TOLERANCES

DECIMALS:	ANGLES:
X : ±0.5	X : ±2°
X.X : ±0.3	X.X : ±1'
X.XX : ±0.2	

TITLE: M20\*1.5 CABLE GLAND(φ5.5~φ11.2)(BLACK)  
 DWN: LEI  
 CHKD: Cerry  
 APVD: William

PART NO.: 2CT3100-W00496H  
 SCALE: 1:1  
 SIZE: A3  
 SHEET: 1 OF 1  
 REV: B

CUSTOMER COPY



Suzhou Singatron Auto Electronics CO., LTD.  
 苏州新格汽车电子有限公司