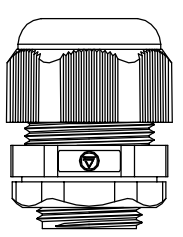
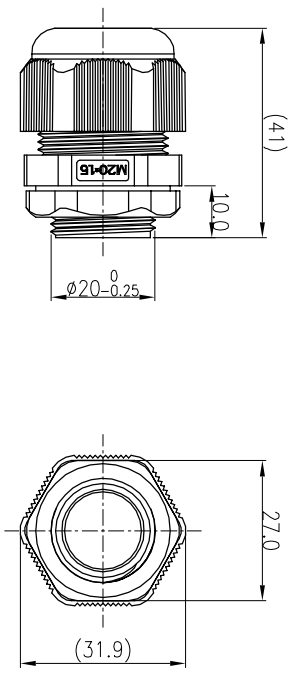
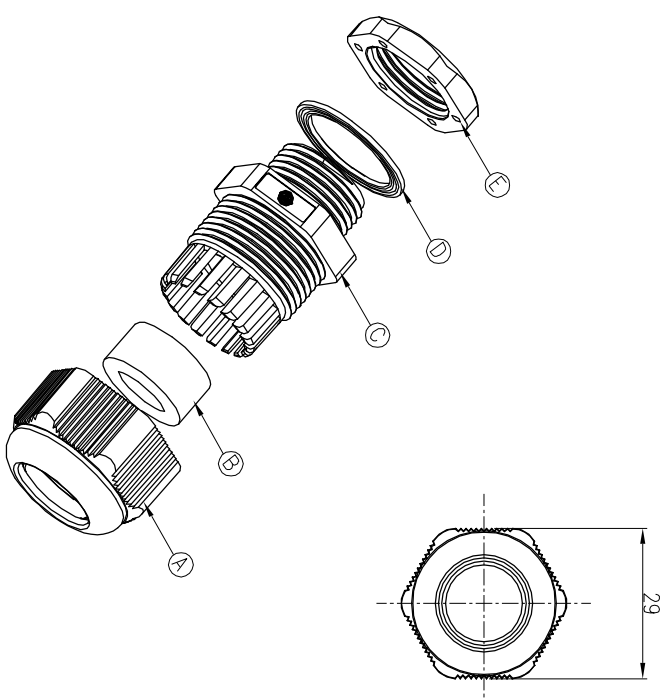


REV	ECN NO. OR DESCRIPTION	REVISED	DATE
A	PDR NO:A200309-2E	LEI	2020.06.22
B	ECN NO.:S202008-C05 A	LEI	2020.11.27



- NOTES:
1. WATERPROOF RATE: IP68(WHEN PROPERLY MATED)
 2. IP68: IMMersed IN 1.8M WATER FOR 24 HOURS.
 3. TEMPERATURE RANGE: -40°C TO +100°C
 4. SEAL FOR CABLE OD: $\phi 8\text{mm} \sim \phi 16\text{mm}$
 5. TO CONFORM TO THE SINGATRON HAZARDOUS SUBSTANCE FREE SPEC.
 5. GREEN PRODUCT IDENTIFICATION LABEL ON PACKAGING: **RoHS**

NO	DESCRIPTION	QTY	MATERIAL	PLATING & COLOR
E	NUT	1	PC	BLACK
D	O-RING	1	SILICONE	BLACK
C	CLAMP RING	1	PC	BLACK
B	SEAL	1	SILICONE	BLACK
A	SEALING NUT	1	PC	BLACK

UNLESS OTHERWISE SPECIFIED TOLERANCES

DECIMALS:	ANGLES:
X : ±0.5	X : ±2°
X.X : ±0.3	X.X : ±1°
X.XX : ±0.2	

TITLE	M20*1.5 CABLE GLAND($\phi 8 \sim \phi 16$)(BLACK)
DWN	LEI
CHKD	Cerry
APVD	William

蘇州信譽汽車電子有限公司
Suzhou Singatron Auto Electronics CO.,LTD.

PART NO.:2CT3100-W00497H
SCALE 1:1 UNIT: mm
SIZE: A3 SHEET:1 OF 1 REV: B

CUSTOMER COPY