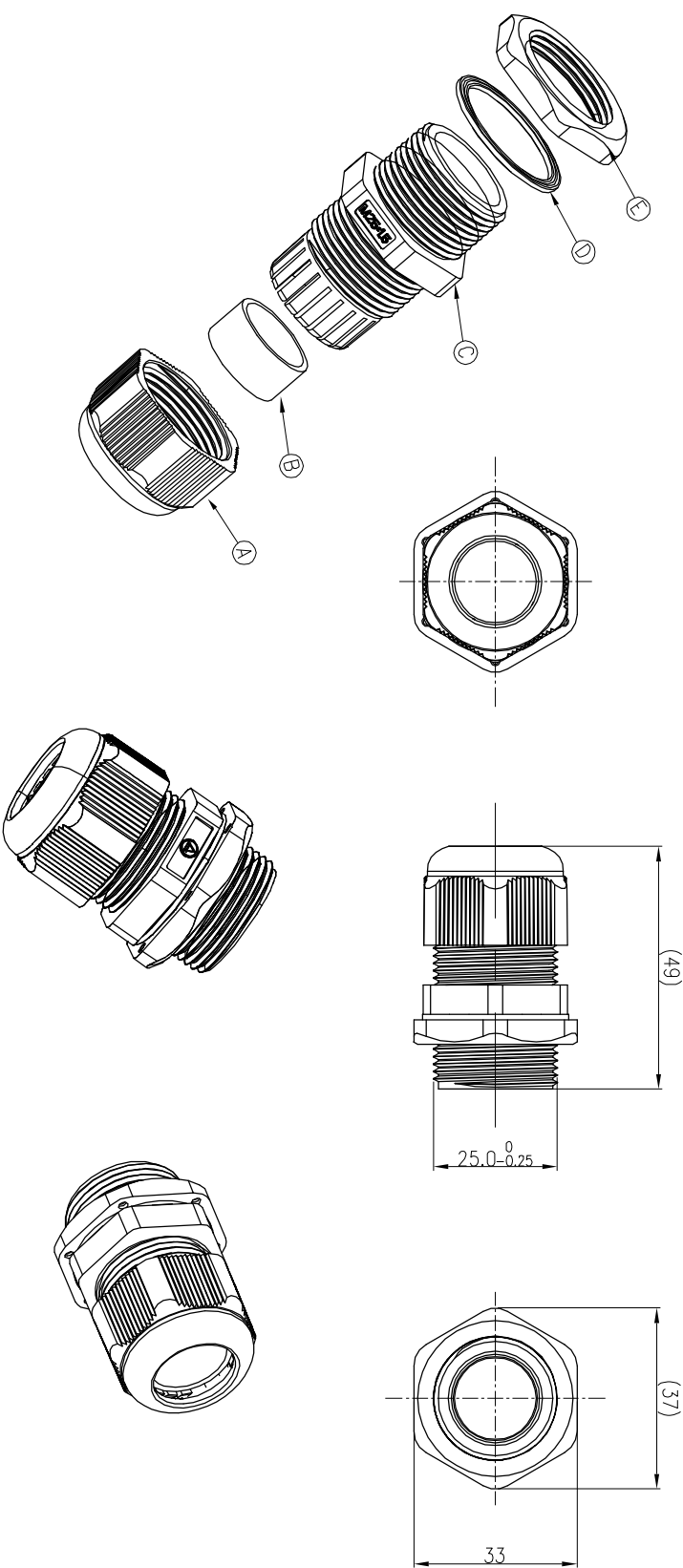


REV	ECN NO OR DESCRIPTION	REVISED	DATE
A	PDR NO:A200309-2F	LEI	2020.06.22
B	ECN NO.:S202008-C05A	LEI	2020.11.27



NOTES:

1. WATERPROOF RATE: IP68(WHEN PROPERLY MATED)
2. .Cable Range:φ10.0mm~φ16.0mm
3. TO CONFORM TO THE SINGATRON HAZARDOUS SUBSTANCE FREE SPEC.
4. GREEN PRODUCT IDENTIFICATION LABEL ON PACKAGING:

E	1	PC	BLACK
D	1	SILICONE	BLACK
C	1	PC	BLACK
B	1	SILICONE	BLACK
A	1	PC	BLACK
NO	DESCRIPTION	MATERIAL	PLATING & COLOR
UNLESS OTHERWISE SPECIFIED TOLERANCES			
Suzhou Singatron Auto Electronics CO.,LTD. 苏州信通汽车电子有限公司			
TITLE: M25*1.5 CABLE GLAND(BLACK)			
DWN: LEI PART NO.:2CT3100-W00498H			
CHKD: Gerry SCALE 1:1 UNIT: mm			
APVD: William SIZE: A3 SHEET:1 OF 1 REV: B			

DECIMALS:	ANGLES:
X : ±0.5	X : ±2°
X.X : ±0.3	X.X : ±1'
X.XX : ±0.2	

CUSTOMER COPY