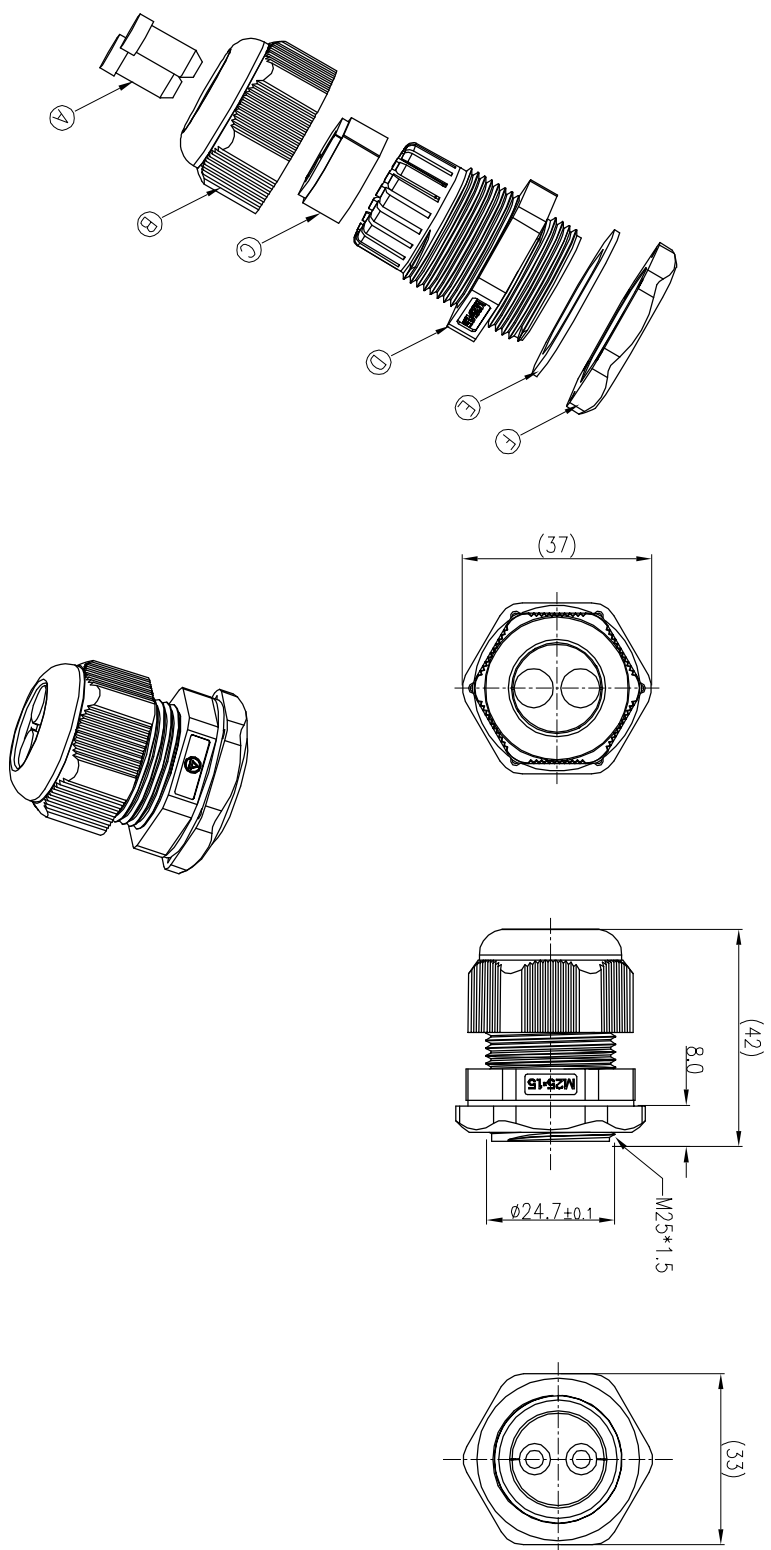


REV.	ECN NO.	OR DESCRIPTION	REVISED	DATE
A	PDR NO.:	A200309-2G	LEI	2020.06.22
B	ECN NO.:	S202008-C05	LEI	2020.11.27



NOTES:

1. WATERPROOF RATE: IP68(WHEN PROPERLY MATED)
2. GENERAL FLASH:0.05mm max
3. Cable Range: 2\*( $\phi 3.0\text{mm} \sim \phi 6.0\text{mm}$ )
4. TO CONFORM TO THE SINGATRON HAZARDOUS SUBSTANCE FREE SPEC.
5. GREEN PRODUCT IDENTIFICATION LABEL ON PACKAGING:

NO	DESCRIPTION	QTY	MATERIAL	PLATING & COLOR
F	NUT	1	PC	BLACK
E	GASKET	1	SILICONE	BLACK
D	CLAMP RING	1	PC	BLACK
C	CABLE SEAL	1	SILICONE	BLACK
B	SEALING NUT	1	PC	BLACK
A	SEAL	2	SILICONE	BLACK

UNLESS OTHERWISE SPECIFIED TOLERANCES

DECIMALS:	ANGLES:	TITLE
X : ±0.5	X : ±2°	M25*1.5 CABLE GLAND(BLACK)
X.X : ±0.3	X.X : ±1'	DWN LEI PART NO.:2CT3100-W00499H
X.XX : ±0.2		CHKD Garry SCALE 1:1 UNIT: mm
		APVD William SIZE: A3 SHEET:1 OF 1 REV: B

CUSTOMER COPY

