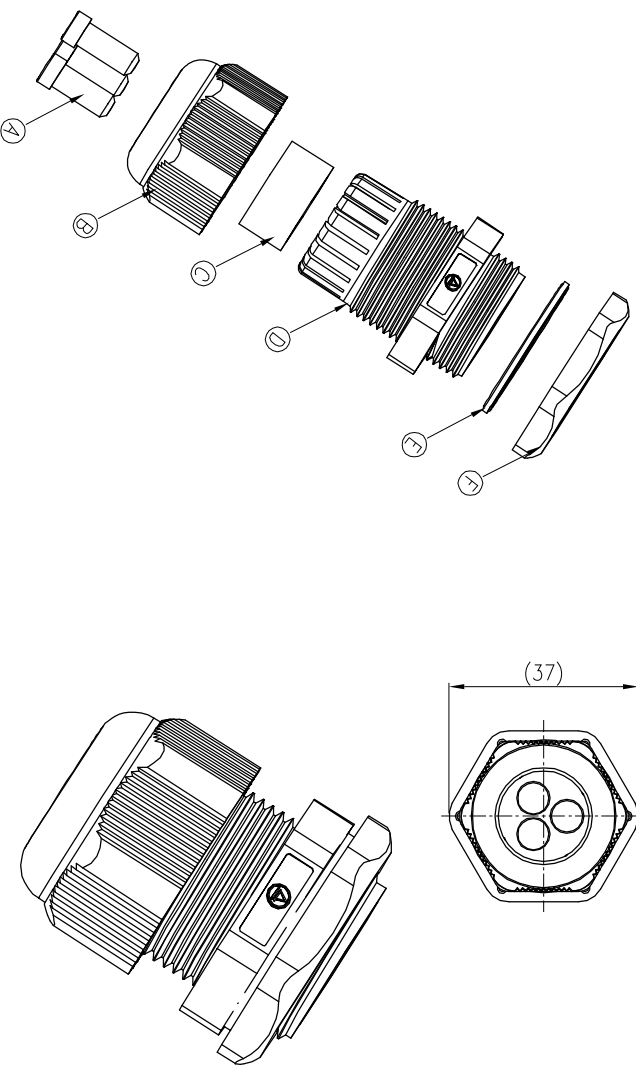
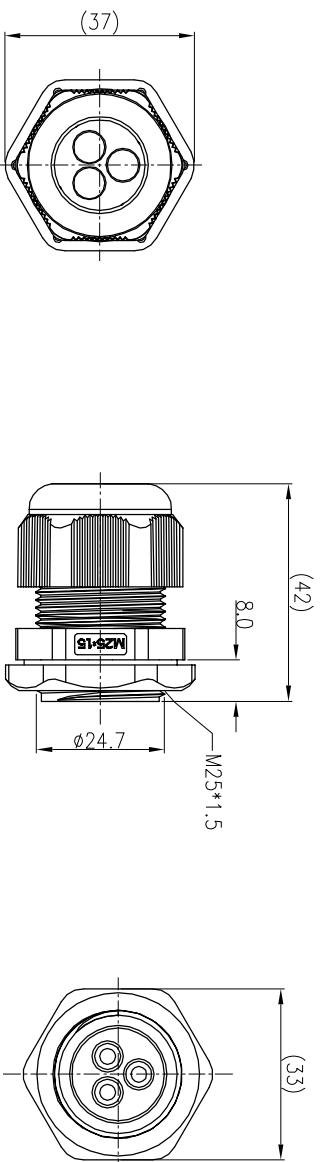


REV.	ECN NO.	OR DESCRIPTION	REVISED	DATE
A	PDR NO.:A200309-2H	LEI		2020.06.22
B	ECN NO.:S202008-C05	LEI		2020.11.27



NOTES:

1. WATERPROOF RATE: IP68(WHEN PROPERLY MATED)
2. GENERAL FLASH:0.05mm max
3. Cable Range: 3\*( $\phi 3.0\text{mm} \sim \phi 6.0\text{mm}$ )
4. TO CONFORM TO THE SINGATRON HAZARDOUS SUBSTANCE FREE SPEC.
5. GREEN PRODUCT IDENTIFICATION LABEL ON PACKAGING: GR PASS

NO	DESCRIPTION	QTY	MATERIAL	PLATING & COLOR
F	NUT	1	PC	BLACK
E	O-RING	1	SILICONE	BLACK
D	CLAMP RING	1	PC	BLACK
C	SEAL	1	SILICONE	BLACK
B	SEALING NUT	1	PC	BLACK
A	SEAL	3	SILICONE	BLACK

UNLESS OTHERWISE SPECIFIED TOLERANCES

DECIMALS:	ANGLES:
X : ±0.5	X : ±2°
X.X : ±0.3	X.X : ±1'
X.XX : ±0.2	

 Suzhou Singatron Auto Electronics CO.,LTD. 蘇州信通汽車電子有限公司	
TITLE	M2.5*1.5 CABLE GLAND(BLACK)
DWN	LEI
CHKD	Gerry
APVD	William
PART NO.	2CT3100-W00500H
SCALE	1:1
UNIT:	mm
SHEET:	1 OF 1
REV:	B

CUSTOMER COPY