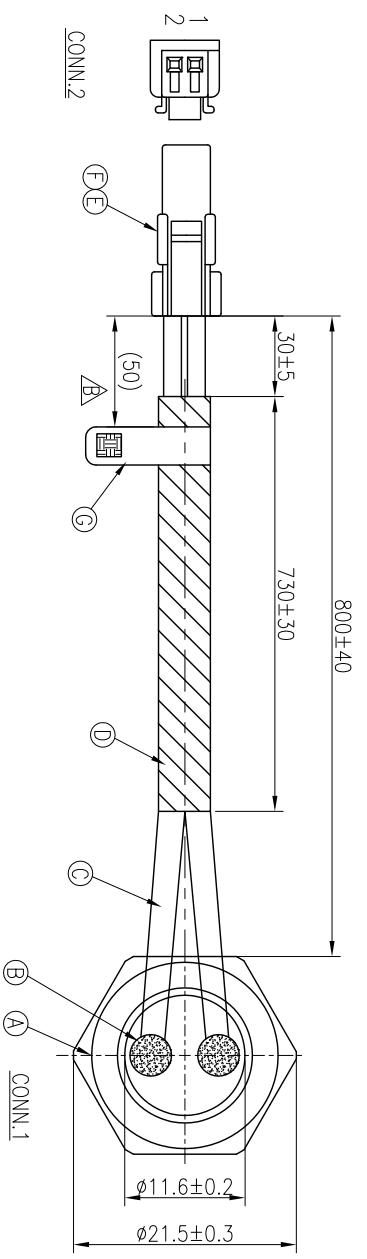
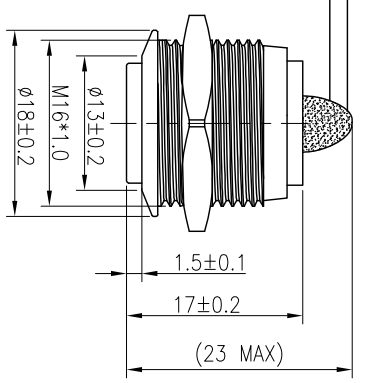


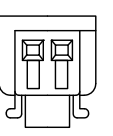
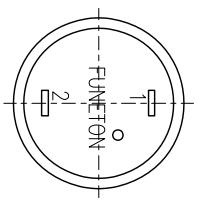
REV.	ECN NO.	OR DESCRIPTION	REVISED	DATE
A	PDR NO.:	T201109-3A	MF	2022.01.10
B	ECN NO.:	S202203-R08	MF	2022.03.14



二维码扫描内容:  
 2CT3100-W00514H  
 YYMMDD XXXX  
 产品料号  
 YYMMDDXXXX  
 流水号 (从0001开始 十六进制)  
 年  
 月  
 日



2	RED	2
1	BLACK	1
CONN.1		CONN.2
PIN OUT		
CONN.1		CONN.2



Pin Assignments  
 Front View

NOTES:

1. WATERPROOF RATE: IP65
2. ELECTRICAL CHARACTERISTICS  
 TEMPERATURE RANGE: -20°C TO +55°C  
 RATING: 2A 36VDC
3. CONTACT RESISTANCE: <math>\leq 3\Omega</math>
4. INSULATION RESISTANCE: >math>\geq 100M\Omega</math>
5. TIGHTENING TORQUE: 5~14Nm
6. GREEN PRODUCT IDENTIFICATION LABEL ON PACKAGING: **GR PASS**

G	LABEL	1	PET	SILVER
F	TERMINAL	2	HongRu 120032PS-2	TIN PLATED
E	HOUSING	1	HongRu M20032-1*2-W	NATURAL
D	HEAT SHRINK TUBE	1	125' 300V	BLACK
C	WIRE	2	UL1430 22AWG	BLACK&RED
B	UV GLUE	1	N/A	NATURAL
A	M16 BUTTON	1	FT16Q-C6	N/A
NO	DESCRIPTION	QTY	MATERIAL	PLATING & COLOR
UNLESS OTHERWISE SPECIFIED TOLERANCES				
Suzhou Singatron Auto Electronics CO.,LTD. 苏州信音汽车电子有限公司				
TITLE		M16 BUTTON+WIRE+HOUSING		
DWN	MF	PART NO.:	2CT3100-W00514H	
CHKD	JF	SCALE	2:1	UNIT: mm
APVD	STEVE	SIZE:	A3	SHEET: 1 OF 1
REV: B				

CUSTOMER COPY