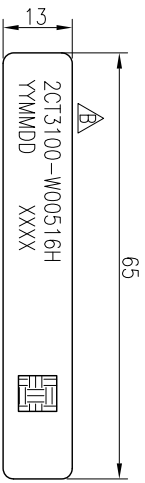
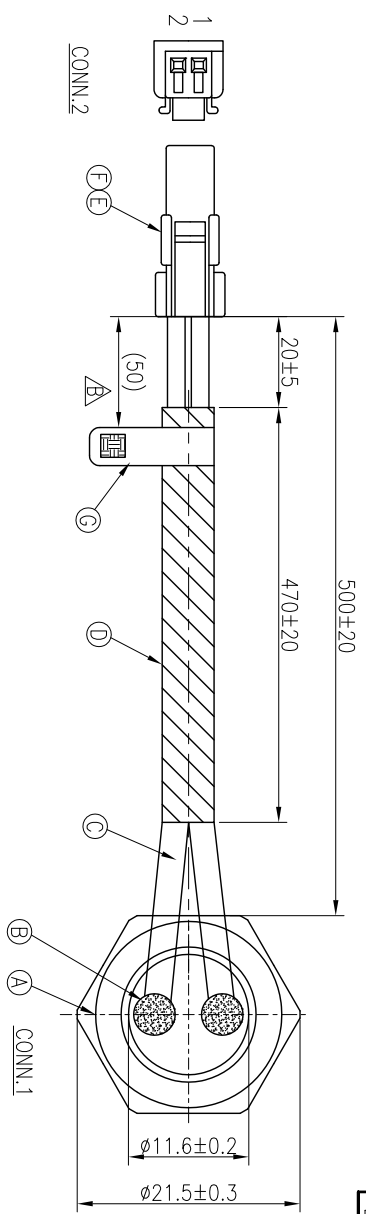
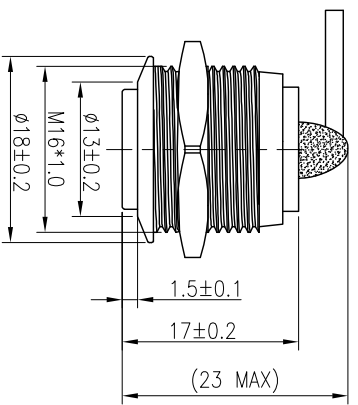


REV.	ECN NO. OR DESCRIPTION	REVISED	DATE
A	PDR NO.:T201225-3A	MF	2022.01.12
B	ECN NO.:S202203-R08	MF	2022.03.14

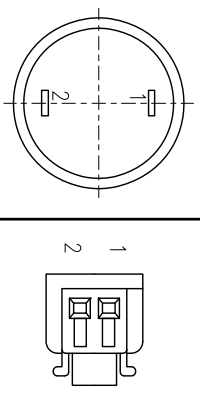


二维码扫描内容:
 2CT3100-W00516H
 YYMMDDXXXX
 产品料号
 流水号 (A0001开始 十六进制)
 年
 月
 日



- NOTES:
1. WATERPROOF RATE: IP65
 2. ELECTRICAL CHARACTERISTICS
 TEMPERATURE RANGE: -20°C TO +55°C
 RATING: 2A 36VDC
 3. CONTACT RESISTANCE: ≤3Ω
 4. INSULATION RESISTANCE: ≥100MΩ
 5. FOR PANEL THICKNESS MAX OF 8.0mm
 6. TIGHTENING TORQUE: 5~14Nm
 7. GREEN PRODUCT IDENTIFICATION LABEL ON PACKAGING: **GR PASS**

2	RED	2
1	BLACK	1
CONN.1		CONN.2
PIN OUT		
CONN.1		CONN.2



Pin Assignments
 Front View

G	LABEL	1	PET	SILVER
F	TERMINAL	2	HongRu 120032PS-2	TIN PLATED
E	HOUSING	1	HongRu M20032-1*2-W	NATURAL
D	HEAT SHRINK TUBE	1	125' 300V	BLACK
C	WIRE	2	UL1430 22AWG	BLACK&RED
B	UV GLUE	1	N/A	NATURAL
A	M16 BUTTON	1	FT16Q-C6	N/A
NO	DESCRIPTION	QTY	MATERIAL	PLATING & COLOR
UNLESS OTHERWISE SPECIFIED TOLERANCES				
DECIMALS:		ANGLES:		
X	:±0.5	X	:±2°	
X.X	:±0.3	X.X	:±1°	
X.XX	:±0.2			
Suzhou Singatron Auto Electronics CO.,LTD. 苏州信音汽车电子有限公司				
TITLE		M16 BUTTON+WIRE+HOUSING		
DWN	MF	PART NO.	2CT3100-W00516H	
CHKD	JF	SCALE	2:1 UNIT: mm	
APVD	STEVE	SIZE:	A3 SHEET:1 OF 1 REV: B	
CUSTOMER COPY				