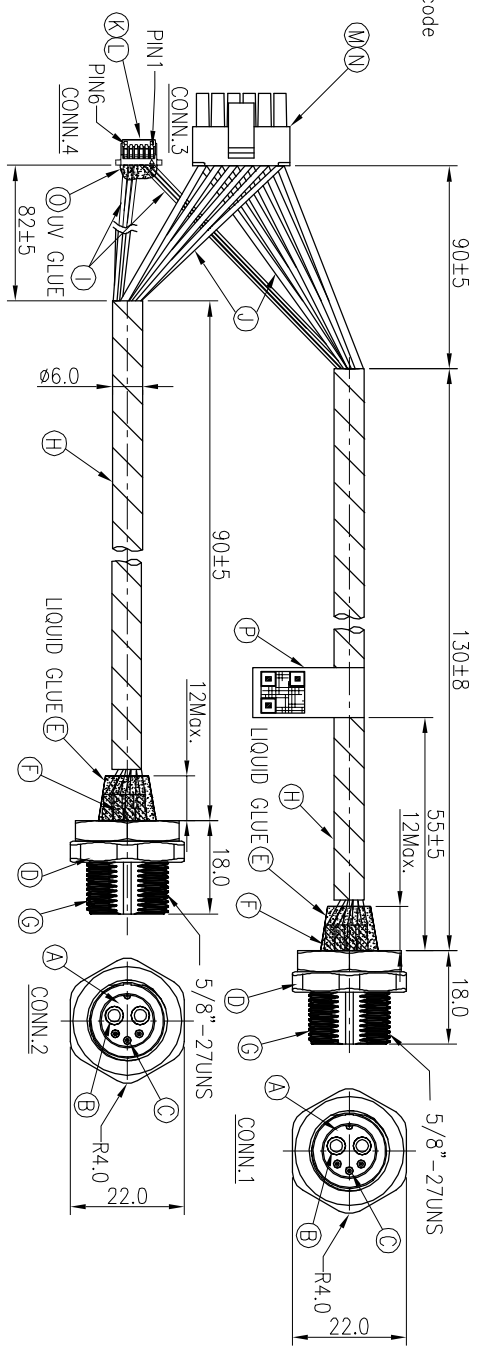


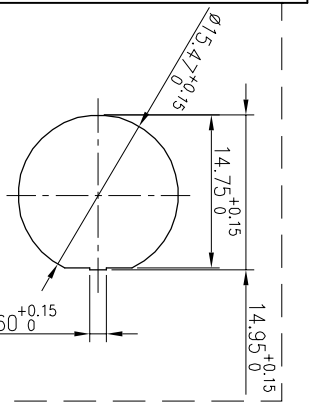
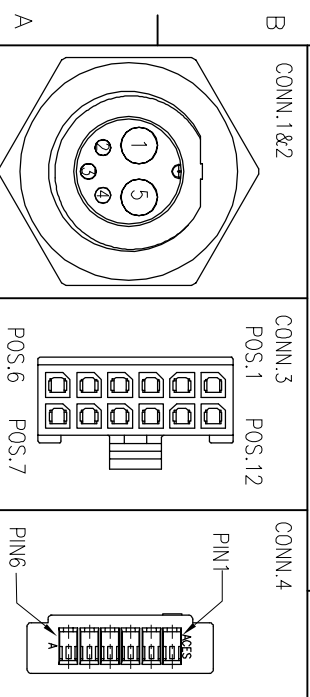
二維碼內容: SITDDDKYKRT001YYMMD
Vendor code: _____ Date code: _____

| LABEL DETAIL | | Quanta P/N |
|--------------|---------------|------------|
| 6 | WHITE (28AWG) | 4 |
| 5 | BLUE (28AWG) | 3 |
| 4 | GREEN (28AWG) | 2 |
| 9 | RED (22AWG) | 5 |
| 8 | RED (22AWG) | 5 |
| 7 | RED (22AWG) | 5 |
| 12 | BLACK (22AWG) | 1 |
| 11 | BLACK (22AWG) | 1 |
| 10 | BLACK (22AWG) | 1 |
| 3 | WHITE (28AWG) | 4 |
| 2 | BLUE (28AWG) | 3 |
| 1 | GREEN (28AWG) | 2 |
| 6 | RED (22AWG) | 5 |
| 5 | RED (22AWG) | 5 |
| 4 | RED (22AWG) | 5 |
| 3 | BLACK (22AWG) | 1 |
| 2 | BLACK (22AWG) | 1 |
| 1 | BLACK (22AWG) | 1 |
| CONN.4 | CONN.3 | CONN.2 |
| CONN.3 | CONN.3 | CONN.1 |

NOTES:
1. ELECTRICAL CHARACTERISTICS
TEMPERATURE RANGE: -40C TO +80C
CURRENT RATING: 20A+1.5A
2. SPECIFICATIONS:SEE "CIRCULAR SERIES SPECIFICATIONS".
3. TO CONFORM TO SINGAITRON HAZARDOUS SUBSTANCE FREE SPEC.
4. GREEN PRODUCT IDENTIFICATION LABEL ON PACKAGING: **RoHS**
5. FOR PANEL THICKNESS MAX OF 4.0mm
6. THE NUT REQUIRED SPECIAL INSTALLATION TOOLS



| | | | | |
|----|------------------|-----|------------------|----------------------|
| P | LABEL | 1 | L40*W10mm | WHITE |
| O | UV GLUE | 1 | N/A | WHITE |
| N | TERMINAL 2 | 12 | PHOSPHOR BRONZE | TIN-PLATED |
| M | HOUSING 2 | 1 | MOLEX 43025-1200 | BLACK |
| L | TERMINAL 1 | 6 | PHOSPHOR BRONZE | GOLD FLASH |
| K | HOUSING 1 | 1 | ACES 50233-006 | WHITE |
| J | WIRE | 12 | UL1007 22AWG | SEE PIN OUT |
| I | WIRE | 6 | UL1061 28AWG | SEE PIN OUT |
| H | HEAT SHRINK TUBE | 2 | 125° 300V | BLACK |
| G | SHIELD | 2 | BRASS | BLACK NICKEL PLATING |
| F | HEAT SHRINK TUBE | 10 | 125° 300V | SALT SPRAY 48H |
| E | LIQUID GLUE | 2 | SILICONE | BLACK |
| D | NUT | 2 | BRASS | BLACK NICKEL PLATING |
| C | MALE PIN 2A | 6 | BRASS | SALT SPRAY 48H |
| B | MALE PIN 20A | 4 | BRASS | GOLD PLATING |
| A | BODY | 2 | PA66+GF | OVER NICKEL PLATING |
| NO | DESCRIPTION | QTY | MATERIAL | BLACK |



| UNLESS OTHERWISE SPECIFIED TOLERANCES | |
|---------------------------------------|----------|
| DECIMALS: | ANGLES: |
| X :±0.5 | X :±2° |
| X.X :±0.3 | X.X :±1° |
| X.XX :±0.2 | |

| | |
|-------|----------------------------------|
| TITLE | CIRCULAR STANDARD SHIELDED PANEL |
| DWN | JF |
| CHKD | Yang |
| APVD | Steve |

Singatron Enterprise Co., Ltd.
信登企業股份有限公司

PART NO. 2CT3501-N05E03H
SCALE 1:1 UNIT: mm
SHEET: 1 OF 1 REV: A

CUSTOMER COPY