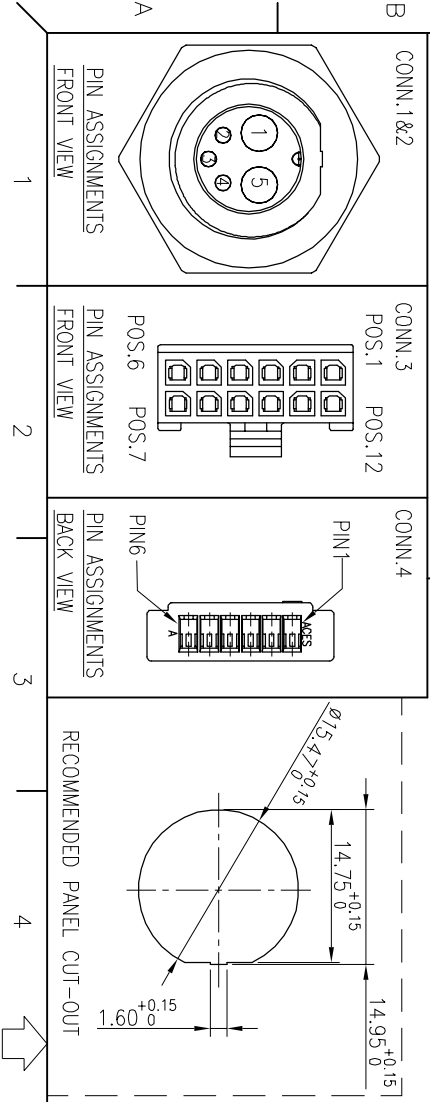
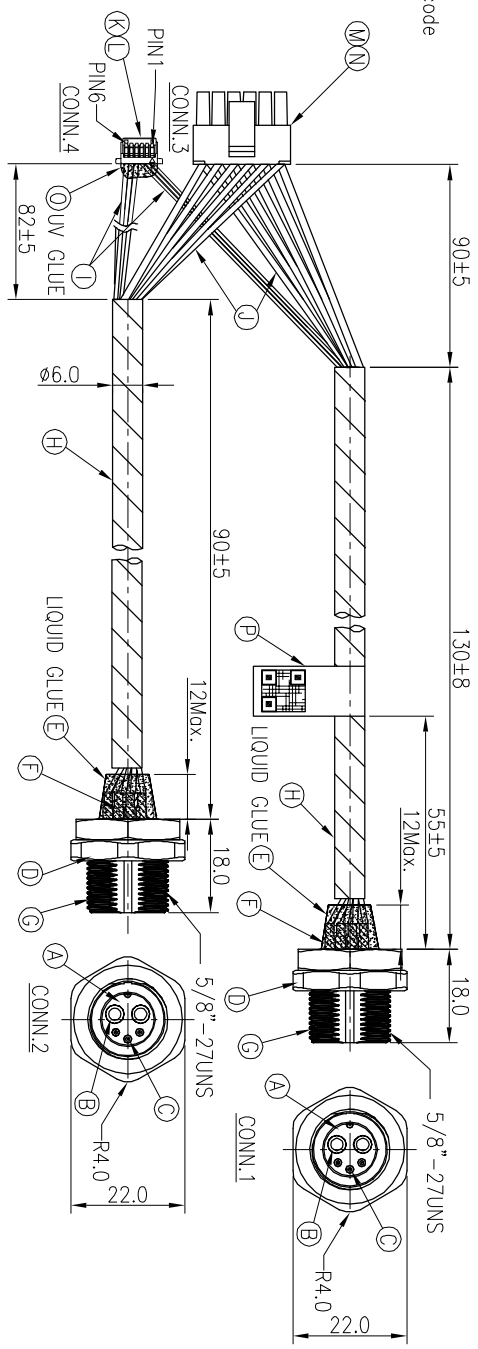


二維碼內容: SITTD00WKB1300YVWMD
Vendor code: _____ Date code: _____
LABEL DETAIL Quanta P/N

CONN. 1&2	CONN. 3	CONN. 4
6	WHITE (28AWG)	4
5	BLUE (28AWG)	3
4	GREEN (28AWG)	2
9	RED (22AWG)	5
8	RED (22AWG)	5
7	RED (22AWG)	5
12	BLACK (22AWG)	1
11	BLACK (22AWG)	1
10	BLACK (22AWG)	1
3	WHITE (28AWG)	4
2	BLUE (28AWG)	3
1	GREEN (28AWG)	2
6	RED (22AWG)	5
5	RED (22AWG)	5
4	RED (22AWG)	5
3	BLACK (22AWG)	1
2	BLACK (22AWG)	1
1	BLACK (22AWG)	1
CONN. 4	CONN. 3	CONN. 2
	WIRE COLOR	CONN. 1

- NOTES:
- ELECTRICAL CHARACTERISTICS
TEMPERATURE RANGE: -40°C TO +80°C
CURRENT RATING: 20A+1.5A
 - SPECIFICATIONS:SEE "CIRCULAR SERIES SPECIFICATIONS".
 - TO CONFORM TO SINGATRON HAZARDOUS SUBSTANCE FREE SPEC.
 - GREEN PRODUCT IDENTIFICATION LABEL ON PACKAGING: **GR-PAIS**
 - FOR PANEL THICKNESS MAX OF 4.0mm
 - THE NUT REQUIRED SPECIAL INSTALLATION TOOLS



P	Q	R	S	T	U	V	W	X	Y	Z							
LABEL	UV GLUE	TERMINAL 2	HOUSING 2	TERMINAL 1	HOUSING 1	WIRE	WIRE	TUBE	SHIELD	TUBE	LIQUID GLUE	SCREW NUT	MALE PIN 2A	MALE PIN 20A	BODY	NO DESCRIPTION	
4DW2024-000015	4UW001-0000020	4TRMOX-4303001	4HSMOX-4302506	4TRACE-8721401	4HSACE-5023306	4DW1007-X22001	4DW1061-X28001	4TUBET-0500002	4CT3501-W000096	4TUBET-0150002	4LIQ001-JA9404	4CT3501-W000086	4CM3024-W05265	4QM3002-W03645	4CT3501-W05E01		
1	1	12	1	6	1	12	6	2	2	10	2	2	6	4	2		
1.40*W10mm	N/A	MOLEX 43030-0001	MOLEX 43025-1200	ACES 87214-WG	ACES 50233-006	UL1007 22AWG	UL1061 28AWG	Ø5 125°C 300V	C3604	Ø1.5 125°C 300V	SILICONE	C3604	HBIS9-1.5B Au 30U"	C3604 Au 30U"	PA66+30%GF (A0620)		
WHITE	NATURAL	TIN-PLATED	BLACK	GOLD FLASH	WHITE	SEE PIN OUT	SEE PIN OUT	BLACK	BLACK NICKEL PLATING	BLACK NICKEL PLATING	BLACK	BLACK NICKEL PLATING	SALT SPRAY 48H	30U" GOLD PLATING	OVER NICKEL PLATING	BLACK	

REV.	ECN NO.	OR DESCRIPTION	REVISED	DATE
A	PDR NO.:T161129-2B		JF	2017.11.14
B	ECN NO.:S171229-C		Jun	2017.12.12

DECIMALS:	ANGLES:	TITLE	SCALE	UNIT:	REVISION
X :±0.5	X :±2'	CIRCULAR STANDARD SHIELDED PANEL	1:1	mm	REV: B
X.X :±0.3	X.X :±1'	MALE CONN 2+3PIN SCREW TYPE			
X.XX :±0.2					