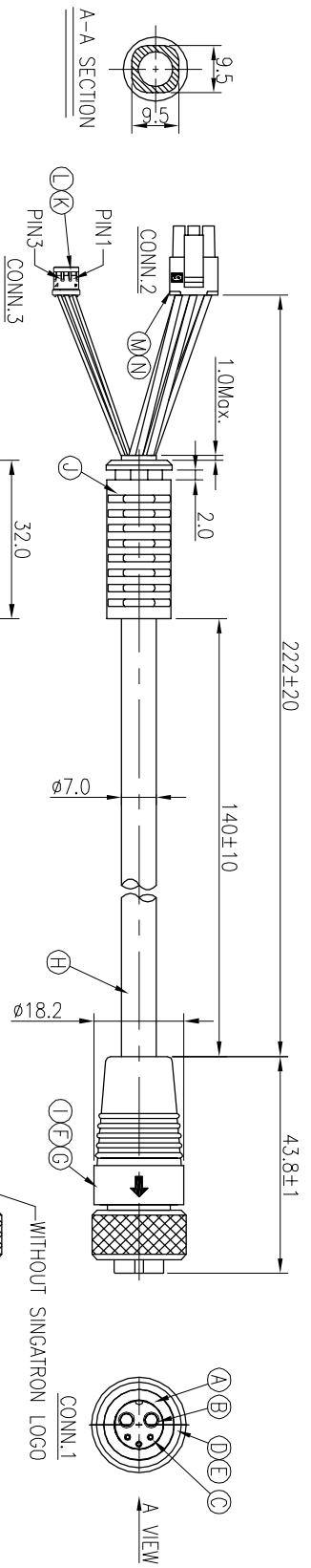
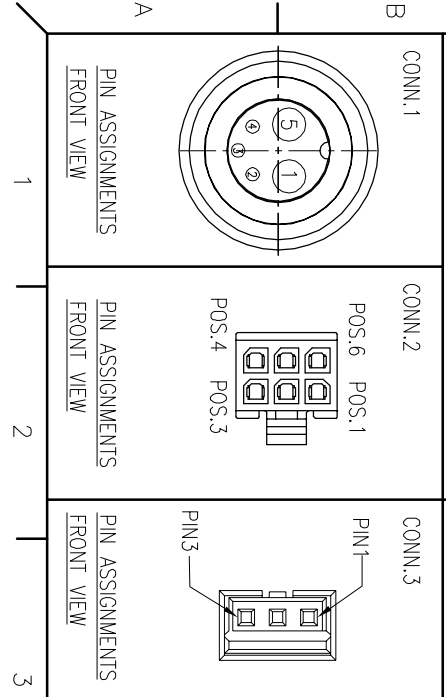
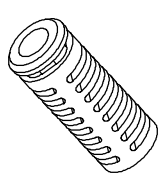


REV.	ECN NO.	OR DESCRIPTION	REVISED	DATE
A	PDR NO.:	T161129-3A	JF	2017.11.14
B	ECN NO.:	S180115-C	Jun	2018.01.10



D	3	WHITE(24#)	4
	2	BLUE(24#)	3
	1	GREEN(24#)	2
	6	YELLOW(22#)	5
	5	GREY(22#)	5
	4	BLACK(22#)	5
	3	ORANGE(22#)	1
	2	BROWN(22#)	1
	1	RED(22#)	1
	CONN.2	WIRE COLOR	CONN.1

NOTES:
 1. ELECTRICAL CHARACTERISTICS
 TEMPERATURE RANGE: -20°C TO +80°C
 CURRENT RATING: 20A+1A
 2. SPECIFICATIONS:SEE "CIRCULAR SERIES SPECIFICATIONS".
 3. TO CONFORM TO SINGATRON HAZARDOUS SUBSTANCE FREE SPEC.
 4. GREEN PRODUCT IDENTIFICATION LABEL ON PACKAGING: **RoHS**



INTERMIAL 2	4TRMOX-4303001	6	PHOSPHOR BRONZE	TIN-PLATED
MHOUSING 2	4HSMOX-4302503	1	MOLEY 43025-0600	BLACK
LTERMINAL 1	4TRACE-9120301	3	PHOSPHOR BRONZE	GOLD FLASH
KHOUSING 1	4HSACE-5029403	1	ACES 50294-003	WHITE
J SR	MPVC60-000AE3	1	PVC	BLACK
I SHIELD	4CT3505-W00056	1	BRASS	BLACK NICKEL PLATING SALT SPRAY 48H
H,CABLE	4CM3004-W09354	1	UJ2464 22AWG+6C+24 AWG3C+AL(UV) OD7.0 (80P PVC JACKET)	BLACK
GINNER MOLD	MPVC60-000AE3	1	PVC	BLACK
F OVER MOLD	MPVC60-000AE3	1	PVC	BLACK
E O-RING	4CT3004-W08027	1	SILICON	BLUE
D SCREW NUT	4CT3505-W00046	1	BRASS	BLACK NICKEL PLATING SALT SPRAY 48H
C FEMALE PIN 2A	4CM3030-W09235	3	4CM3030-W09235	GOLD PLATING
B FEMALE PIN 20A	4CG3004-W03F05	2	4CG3004-W03F05	PHOSPHOR BRONZE OVER NICKEL PLATING
A BODY	4CT3505-W05E11	1	PA66+GF	BLACK
NO DESCRIPTION	P/N	QTY	MATERIAL	PLATING & COLOR

UNLESS OTHERWISE SPECIFIED TOLERANCES

Singatron Enterprise Co., Ltd.
 信亨企業股份有限公司

TITLE	CIRCULAR STANDARD SIZE FEMALE CONN.
DWN	Jun
CHKD	JF
APVD	Steve

DECIMALS: ANGLES: X :±0.5 X :±2 X.X :±0.3 X.X :±1' X.XX :±0.2

PART NO. 2CT3505-W05E03H
 SCALE 1:1 UNIT: mm
 SIZE: A3 SHEET: 1 OF 1 REV: B
 CUSTOMER COPY