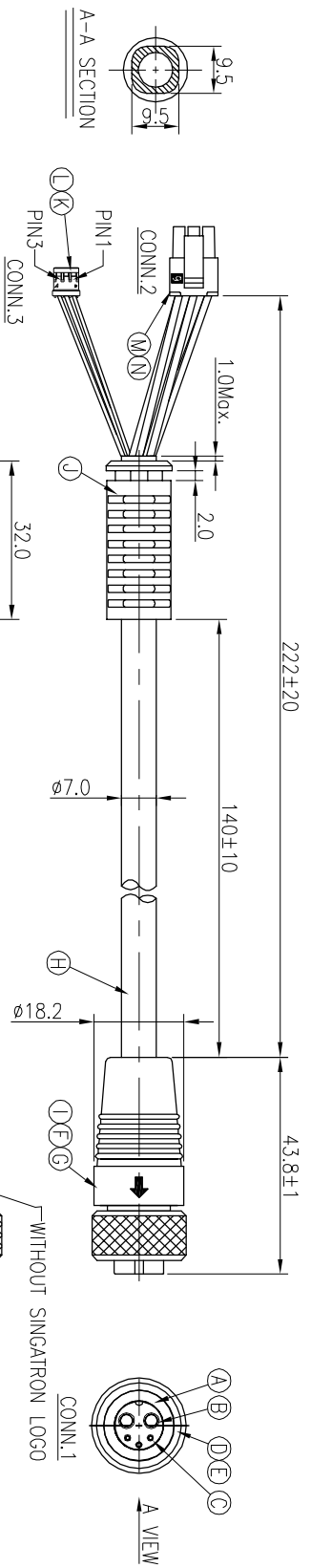
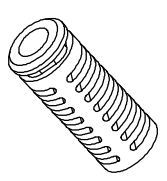


REV.	ECN NO OR DESCRIPTION	REVISED	DATE
A	PDR NO.:T161129-35B	JF	2017.11.14

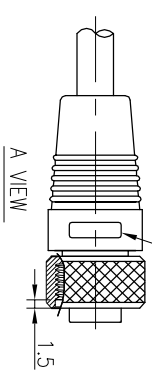


3	WHITE(24#)	4
2	BLUE(24#)	3
1	GREEN(24#)	2
	YELLOW(22#)	5
	GREY(22#)	5
	BLACK(22#)	5
	ORANGE(22#)	1
	BROWN(22#)	1
	RED(22#)	1
CONN.3	CONN.2	CONN.1
WIRE COLOR		

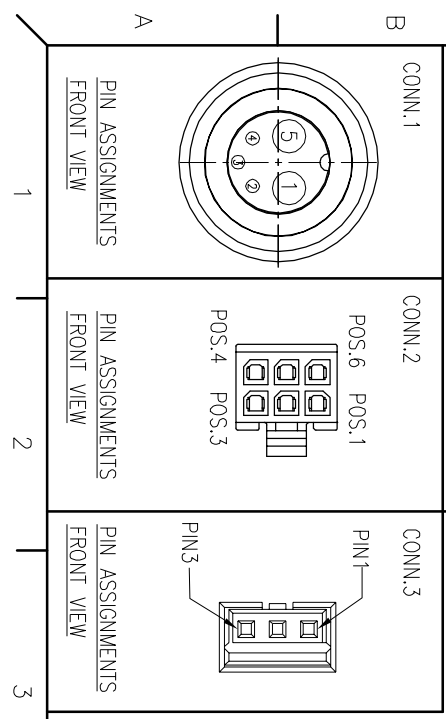
NOTES:
 1. ELECTRICAL CHARACTERISTICS
 TEMPERATURE RANGE: -20°C TO +80°C
 CURRENT RATING: 20A+1A
 2. SPECIFICATIONS:SEE "CIRCULAR SERIES SPECIFICATIONS".
 3. TO CONFORM TO SINGATRON HAZARDOUS SUBSTANCE FREE SPEC.
 4. GREEN PRODUCT IDENTIFICATION LABEL ON PACKAGING:



SR 3D VIEW



A VIEW



CONN.1	CONN.2	CONN.3
PIN ASSIGNMENTS FRONT VIEW		

N	TERMINAL 2	6	PHOSPHOR BRONZE	TIN-PLATED
M	HOUSING 2	1	MOLEX 43025-0600	BLACK
L	TERMINAL 1	3	PHOSPHOR BRONZE	GOLD FLASH
K	HOUSING 1	1	ACES 50294-003	WHITE
J	SR	1	PVC	BLACK
I	SHIELD	1	BRASS	BLACK NICKEL PLATING SALT SPRAY 48H
H	CABLE	1	UL2464 22AWG*6C+24AWG *3C+AL(UV) 0D7.0	BLACK(80P PVC JACKET)
G	INNER MOLD	1	PVC	NATURAL
F	OVER MOLD	1	PVC	BLACK
E	O-RING	1	SILICON	BLUE
D	SCREW NUT	1	BRASS	BLACK NICKEL PLATING SALT SPRAY 48H
C	FEMALE PIN 2A	3	PHOSPHOR BRONZE	30u" GOLD PLATING OVER NICKEL PLATING
B	FEMALE PIN 20A	2		OVER NICKEL PLATING
A	BODY	1	PA66+GF	BLACK
NO	DESCRIPTION	QTY	MATERIAL	PLATING & COLOR

UNLESS OTHERWISE SPECIFIED TOLERANCES

Singatron Enterprise Co., Ltd.
 信營企業股份有限公司

CIRCULAR STANDARD SIZE FEMALE CONN.
 FEMALE CONN 2+3PIN LOCK TYPE

TITLE	CIRCULAR STANDARD SIZE FEMALE CONN.
DWN	JF
CHKD	Yang
APVD	Steve
PART NO.	2CT73505-N05E04H
SCALE	1:1
UNIT	mm
SIZE	A3
SHEET	1 OF 1
REV.	A

CUSTOMER COPY