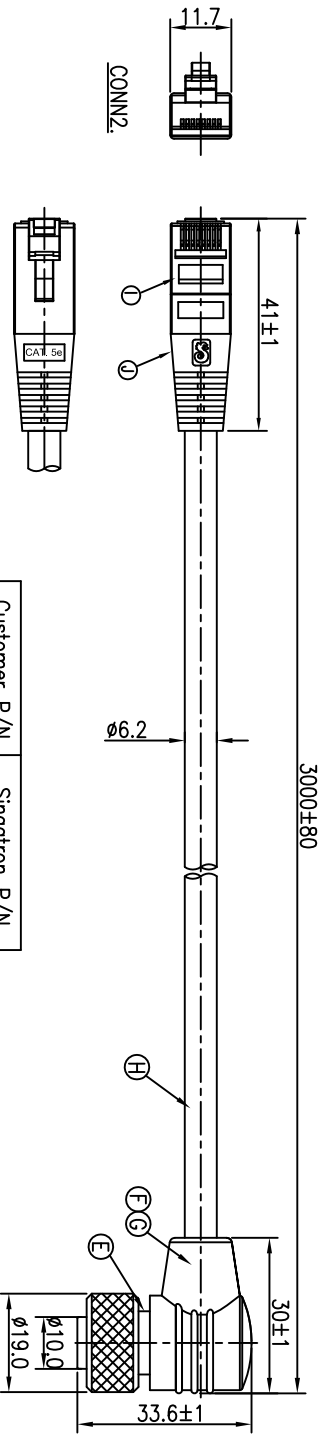


REV.	ECN NO.	OR DESCRIPTION	REVISED	DATE
A	PDR NO.:C120430-8A	Shown	2014.03.24	

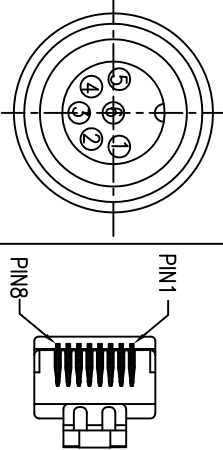
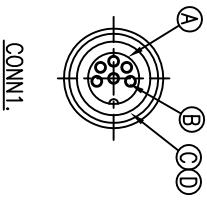
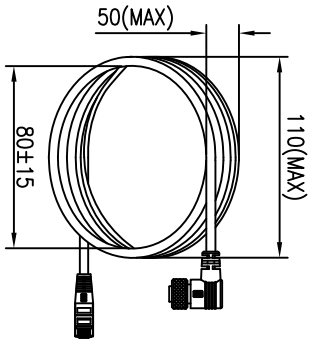


Customer P/N	Singatron P/N
EC09H40000600	2CT3505-W06301H

D	4	BROWN	8
5	WHITE/BROWN	7	
/	N/C	6	
6	WHITE/BLUE	5	
3	BLUE	4	
/	N/C	3	
2	GREEN	2	
1	WHITE/GREEN	1	
CONN1	WIRE COLOR	CONN2	

- NOTES:
1. WATERPROOF RATE: IP66/IP67
 2. ELECTRICAL CHARACTERISTICS TEMPERATURE RANGE:-40° TO +80°
 3. SPECIFICATIONS:SEE "CIRCULAR SERIES SPECIFICATIONS".
 4. TO CONFORM TO ROHS REQUIREMENT AND REACH REGULATION
 5. GREEN PRODUCT IDENTIFICATION LABEL ON PACKAGING: G.P. PASS
 6. NON-HUMAN FACTORS CASE SERVICE LIFE IS 5 YEARS
 7. TORQUE FORCE: 6~8 kgf.cm
- RATING: 5A

NOTE: THE WHOLE WOUND CABLE SHOULD BE WRAPPED WITH PE FILM



Pin Assignments
Front View

B	CONN.1	CONN.2
---	--------	--------

C	1	2	3
---	---	---	---

4	5
---	---

J	OVER MOLD	1	PVC	BLACK
I	RJ45 PLUG	1	8P8C PLUG	TRANSPARENT PLASTIC
H	CABLE	1	CAT.5e FTP 24AWG*4P +MY+D+AL OD6.2	BLACK (PVC JACKET)
G	INNER MOLD	1	TPU	NATURAL
F	OVER MOLD	1	TPU	BLACK
E	SHIELD	1	BRASS	NICKEL PLATING 60u"
D	O-RING	1	EPDM	BLACK
C	SCREW NUT	1	BRASS	NICKEL PLATING 60u"
B	FEMALE PIN	6	Phosphor Bronze	6u" GOLD PLATING OVER NICKEL PLATING
A	BODY	1	PA66+30%GF 94V-0	BLACK

UNLESS OTHERWISE SPECIFIED TOLERANCES

DECIMALS: ANGLES:

X :±0.5 X :±2
X.X :±0.3 X.X :±1
X.XX :±0.2

Singatron Enterprise Co., Ltd.
信亨企業股份有限公司

TITLE: CIRCULAR STANDARD SIZE (90°) FEMALE CONN. FEMALE 6PIN(S) SCREW TYPE

DWN: Shawn PART NO. 2CT3505-W06301H

CHKD: Harlen SCALE 1:1 UNIT: mm

APVD: Quan SIZE: A2 SHEET: 1 OF 1 REV: A

CUSTOMER COPY